



ClearSpan™ 38' Wide Storage Master SolarGuard™ Building



Photo may show a model of a different length.

©2014 ClearSpan™
All Rights Reserved. Reproduction
is prohibited without permission.

STK#	DIMENSIONS
PB00270R4/R5	38' W x 15' H x 40' L
PB00272R4/R5	38' W x 15' H x 60' L
PB00274R4/R5	38' W x 15' H x 80' L
PB00276R4/R5	38' W x 15' H x 100' L



YOU MUST READ THIS DOCUMENT BEFORE YOU BEGIN TO ASSEMBLE THE SHELTER.

Thank you for purchasing this ClearSpan™ shelter. When properly assembled and maintained, this product will provide years of reliable service. These instructions include helpful hints and important information needed to safely assemble and properly maintain the shelter. Please read these instructions **before** you begin.

If you have any questions during the assembly, contact Customer Service for assistance.

SAFETY PRECAUTIONS

- Wear eye protection.
- Wear head protection.
- Wear gloves when handling metal tubes.
- Use a portable GFCI (Ground Fault Circuit Interrupter) when working with power tools and cords.
- Do not climb on the shelter or framing during or after construction.
- Do not occupy the shelter during high winds, tornadoes, or hurricanes.
- Provide adequate ventilation if the structure is enclosed.
- Do not store hazardous materials in the shelter.
- Provide proper ingress and egress to prevent entrapment.

ANCHORING INSTRUCTIONS

Prior to assembling this shelter, please read the anchoring precautions and instructions included with the kit. Anchoring instructions are included in the **MUST READ** document. *You must anchor the building after the frame is assembled and before the cover is installed.*

⚠ WARNING: The anchor assembly is an integral part of the shelter construction. Improper anchoring may cause shelter instability and failure of the structure. Failing to anchor the shelter properly *will void the manufacturer's warranty* and may cause serious injury and damage.

LOCATION

Choosing the proper location is an important step before you begin to assemble the structure. *Always consult local and regional building codes before you begin.*

The following suggestions and precautions will help you determine whether your selected location is the best location.

- Never erect the structure under power lines.
- Identify whether underground cables and pipes are present *before* preparing the site or anchoring the structure.
- Location should be away from structures that could cause snow to drift on or around the building.
- Do not position the shelter where large loads such as snow and ice, large tree branches, or other overhead obstacles could fall.

SITE

After choosing a location, proper preparation of the site is essential. The following site characteristics will help ensure the integrity of the structure.

- A level site is required to properly and safely erect and anchor the frame.
- If the site is not level, use footings to provide a secure base for the structure. Pre-cast concrete blocks, pressure-treated wood posts, or poured footings are all acceptable when properly used.

IMPORTANT: Some soil types and locations may require footings to properly support and anchor the building. Consult a qualified professional who is familiar with building similar structures to determine whether a footing or other foundation is required in your area.

- **Drainage:** Water draining off the structure and from areas surrounding the site should drain away from the site to prevent damage to the site, the structure, and contents of the structure.

⚠ WARNING: The individuals assembling this structure are responsible for designing and furnishing all temporary bracing, shoring and support needed during the assembly process. For safety reasons, those who are not familiar with recognized construction methods and techniques *must seek the help of a qualified contractor.*

ASSEMBLY PROCEDURE

Following the instructions as presented will help ensure the proper assembly of your shelter. Failing to follow these steps may result in an improperly assembled and anchored shelter and will void all warranty and protection the owner is entitled to.

The steps outlining the assembly process are as follows:

1. Verify that all parts are included in the shipment. Notify Customer Service for questions or concerns.
2. Read these instructions, the Must Read document, and all additional documentation included with the shipment **before** you begin assembling the shelter.
3. Gather the tools, bracing, ladders (and lifts), and assistants needed to assemble the shelter.
4. Check the weather **before** you install the roof cover and any panels (if equipped). Do not install covers or panels on a windy or stormy day.
5. Re-evaluate the location and site based on the information and precautions presented in the documentation included with the shipment.
6. Lay out the site (if this has not been completed).
7. Assemble the frame components in the order they are presented in these instructions.
8. Assemble the main and end wall frames, including the bracing (if equipped).
9. Consult the Must Read document for anchoring comments and instructions.
10. Install, tighten, and secure the end panel (if equipped) and main cover. This applies to fabric covers that stretch over the frame assembly.
11. Read the care and maintenance information at the end of these instructions.
12. Complete and return all warranty information as instructed.

LIST OF WORDS AND PHRASES

Before you begin, it is important to become familiar with the words and phrases used in this instruction manual.

These words and phrases are common to most ClearSpan™ shelters and identify the different parts of the shelter. (Some are used in this document. Others may not apply to this particular shelter.) These terms describe the shipped parts and can also be found on the materials list/spec sheets included with the shipment. To aid in the assembly, read through the following definitions before you begin to assemble your shelter.

- **Conduit:** An assembly of pipes used to secure the main cover and end panels (if equipped). Purlins and some strut assemblies also consist of connected pipes to form a conduit. Each pipe joint of a conduit assembly is secured with a self-tapping Tek screw.
- **Coupler or Fitting:** A part of the frame assembly where legs, purlins and rafter pipes are inserted and secured. In most instances, 3-way and 4-way couplers are used. In some larger applications, couplers are used to secure the joints of the different rafter sections during the assembly of the rafters. Some shelters do not use couplers.
- **Foot, Rafter Foot , or Base Plate:** The part attached to and found at the base of the rafter or leg of the shelter. Depending on the shelter, the foot is an optional purchase. Some shelters do not offer an optional foot. Some use 1-way connectors; others use ground posts.
- **Must Read Document:** This document includes building and shelter anchoring instructions, steps for end wall reinforcement, safety precautions, and notices and warnings. The Must Read document is sent with all shelters and buildings. If you did not receive a Must Read document, contact Customer Service to request one.
- **On-Center:** Term used to describe a measurement taken from the vertical center of the rafter or frame member to the vertical center of another.
- **Purlin or Angled (or Lateral) Bracing:** The pipe assemblies that run perpendicular to the rafters or framework that supports the main cover. These assemblies are found on the sides and roof areas of the assembled frame, are evenly spaced, and typically run from the front to the back of the shelter.
- **Plain or Straight Pipe:** A term used to describe a pipe that has the same diameter or width throughout its entire length.
- **Strut:** A strut is usually a length of pipe with two flattened ends and is used for diagonal bracing of the shelter frame. A strut is typically secured to the frame work by special brackets, bolts, and/or clamps.
- **Swaged End or Swaged Pipe:** The term "swaged" refers to the tapered end of the pipe or tube. Swaged ends of a pipe can be inserted into couplers and the straight ends of other pipes of the same diameter.
- **Tek Screw:** A self-tapping fastener used to secure pipe joints and to fasten brackets to rafters.

CLEARSPAN™ STORAGE MASTER

REQUIRED TOOLS

The following list identifies the main tools needed to assemble the shelter. Additional tools and supports may be needed depending on the structure, location, and application.

- Tape measure or measuring device
- Marker
- Variable speed drill and impact driver (cordless with extra batteries works best)
- Wrenches or ratchet and socket set (recommended)
- Scissors or utility knife to cut cover material and strap
- Tool to cut cable to the required length
- Hammers, gloves, and eye protection
- Ladders, work platforms, and other machinery for lifting designed to work safely at the height of the shelter
- Rope (or straps) for cover installation

UNPACK AND IDENTIFY PARTS

The following steps will ensure that you have all the necessary parts *before* you begin to assemble the shelter.

1. Unpack the contents of the shipment and place where you can easily inventory the parts. Refer to the Bill of Materials/Spec Sheets.
2. Verify that all parts listed on the Bill of Materials/Spec Sheets are present. If anything is missing or you have questions, consult the Pictorial Parts Guide and all shelter diagrams throughout these instructions for clarification, or contact Customer Service.

NOTE: At this time, you do not need to open the plastic bags containing the fasteners (if used).

QUICK START GUIDE

For a quick overview of this shelter and its components, consult the Quick Start Guide near the back of these instructions.

The pages of the Quick Start Guide show exploded views of all critical connections. Use the diagrams in the Quick Start section to assemble the frame of your building.

Consult the remainder of these instructions for important details that will help during the construction.

SPECIAL NOTE: Baseboards for Frame

These instructions recommend installing a baseboard under the mounting feet along each side of the frame. The baseboard runs from the front to the back of the building.

This baseboard is *not included* with the shipment and must be supplied by the customer. Treated or recycled plastic lumber works well for a baseboard.

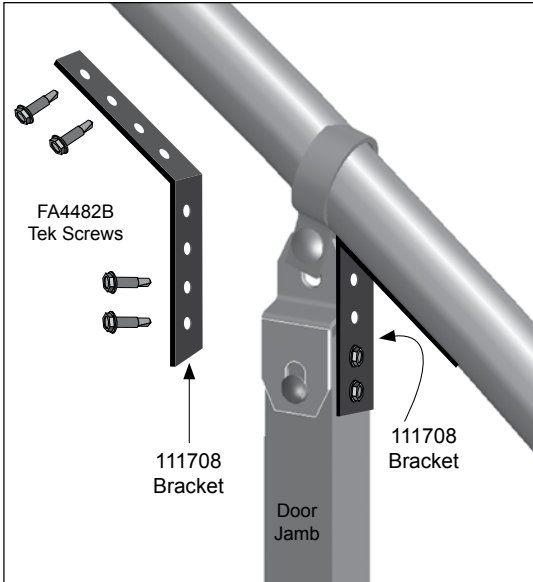
The baseboard, when installed properly, helps prevent the shelter from sinking into the ground when anchored. Baseboards also provide a surface to attach rafter feet or other building components.

Consult these instructions, or contact Customer Service for additional information regarding baseboards.



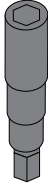



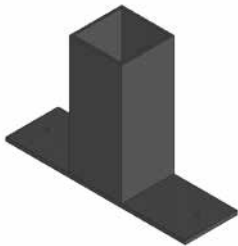
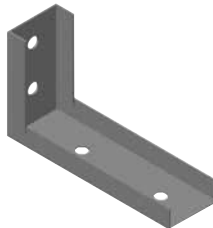



ClearSpan™
fabric structures and greenhouses

The following graphics and photos will help you identify the different parts of the building. Consult the Quick Start Guide for additional details and diagrams. (Some parts are not shown.)

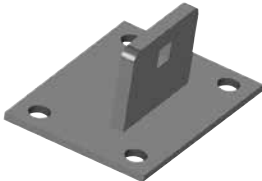




ATTENTION: Install the 111708 brackets as shown above during the assembly of the end wall frame. See the Door Jamb Addendum in the Quick Start section near the back of this guide.

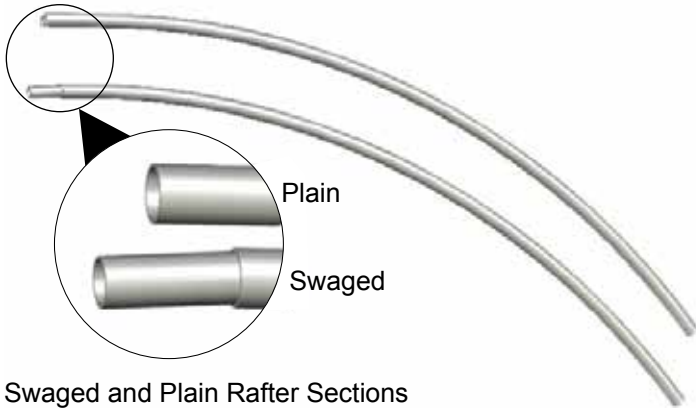
- 
FA4482B
Tek Screw
- 
QH1061
1" Ratchet
- 
100441
Nut Setter
- 
105350
Purlin Connection Bracket

- 
104624
1-Way Square Tube Fitting
- 
QH1330
Angled Bracket
- 
AS1083
3/16" Cable Thimble
- 
AS1003
3/16" Cable Clamp
- 
105351
Mounting Bracket

- 
QH1065
2" Ratchet
- 
105243
Mounting Plate

- 
105241
Rafter Foot Base
- 
105092
3.25" Pipe Fitting
- 
105238
Band Clamp

- 
104189 Turnbuckle



Swaged and Plain Rafter Sections (not all pieces are shown)



ClearSpan™ Storage Master Building

The instructions that follow describe assembling all rafters and then constructing the frame. Depending on the number of individuals assisting with the construction, it may be best and more efficient to have someone assemble the rafters and others assemble the frame as rafters are completed.

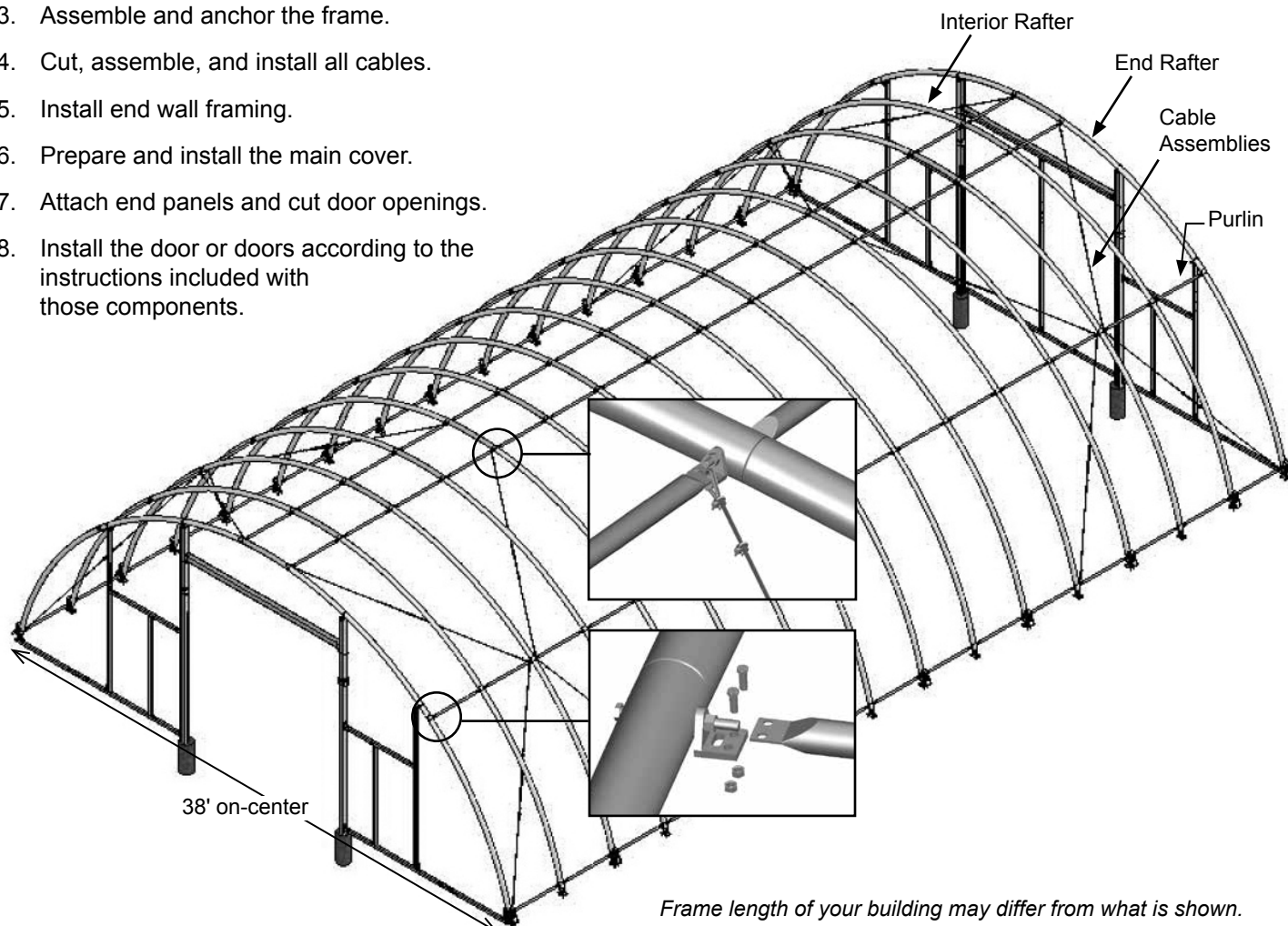
OVERVIEW

This section describes assembling your Storage Master building. For details of each assembly procedure, consult the Quick Start Guide and the individual sections of these instructions. See illustration below to identify main parts of shelter.

1. Layout the site and identify the required parts for each assembly procedure.
2. Assemble all rafters.
3. Assemble and anchor the frame.
4. Cut, assemble, and install all cables.
5. Install end wall framing.
6. Prepare and install the main cover.
7. Attach end panels and cut door openings.
8. Install the door or doors according to the instructions included with those components.

Other factors to consider during the assembly, especially for buildings longer than 60', include:

- Amount of work/assembly area
- Available lifts and work platforms
- Number of assistants



Frame length of your building may differ from what is shown.

LAY OUT THE BUILDING SITE

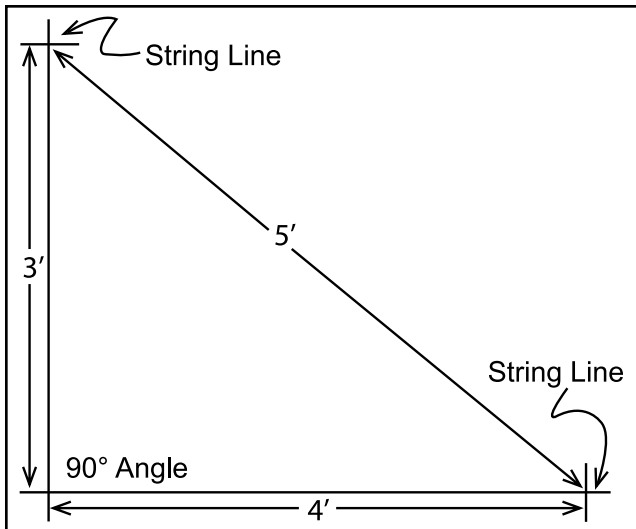
After the site is prepared, identify the location of the shelter corners helps to square the frame after it is assembled.

Taking these steps **before** assembling the shelter saves time and ensures that the structure is positioned as desired. The following procedure is a suggested method. Its use depends on the size of the shelter, shelter application, the footings, and the method used to anchor the shelter.

SQUARE THE SITE

1. Identify a corner where a building rafter will be positioned, drive in a stake, and string a line the exact width of the building and stake in place. (Width of the rafter is measured from center-to-center of the rafter legs.)
2. Sting a line at least as long as the building from the first stake at 90°.

NOTE: A transit can be used to ensure an accurate 90° angle, or the 3-4-5 rule can be used. Refer to diagram. Using multiples of 3-4-5 such as 6-8-10 or 12-16-20 helps to maintain an accurate 90° angle.



3. After squaring the position of the building and placing a stake at all corners, string a line between the stakes to mark the base of the building.
4. Next, mark a line on the ground using the strings between the stakes as guides.

NOTE: There is no need to mark the rafter spacing. The purlins, when installed correctly, will maintain even rafter spacing throughout the length of the shelter.

5. After marking the outline of the building, remove the strings and continue with the rafter assembly instructions.

ASSEMBLE THE STORAGE MASTER BUILDING COMPONENTS

NOTE: Assistance is required to assemble the shelter.

RAFTER ASSEMBLY

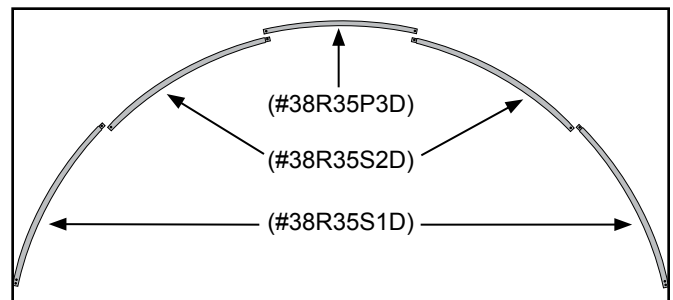
Gather the parts:

- Rafter pipe (#38R35S1D)
- Rafter pipe (#38R35S2D) & rafter pipe (#38R35P3D)
- Purlin connection bracket (#105350)
- Rafter foot base (#105241)
- 3.25" pipe fitting (#105092)
- ½" x 1½" Carriage bolt, nut, and washer
- ½" x 4½" Bolt and nut
- ½" x 5½" Bolt and nut

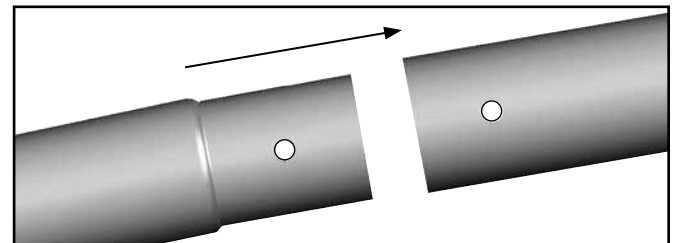
Each rafter assembly consists of five (5) pipes: 2 (#38R35S1D), 2 (#38R35S2D), and 1 (#38R35P3D). The #38R35S1D pipes include *two drilled holes near the bottom* to connect the rafter foot.

End Rafter Assembly Procedure

1. Select the five (5) pipes needed to assemble a rafter and arrange these on a flat surface as shown below for assembly.



2. Slide the swaged portion of each rafter pipe into the plain end of the pipe and align the 9/16" holes.

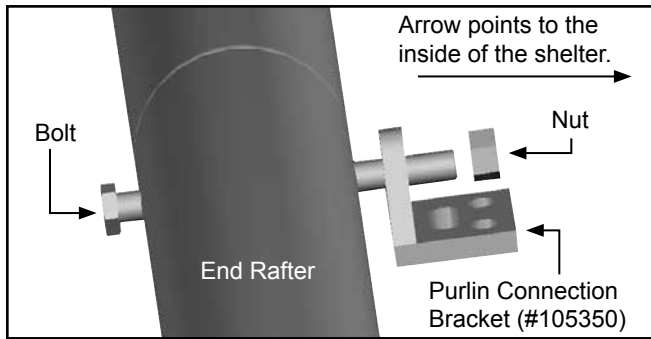


ATTENTION: All pipe connections for the two (2) end rafters are secured using the ½" x 4½" bolts (105370B). During the rafter assembly, insert the bolts so the bolt head is toward the outside of the rafter when the rafter is set in position. The nuts will face to the inside of the assembled frame. See diagrams on the next page.

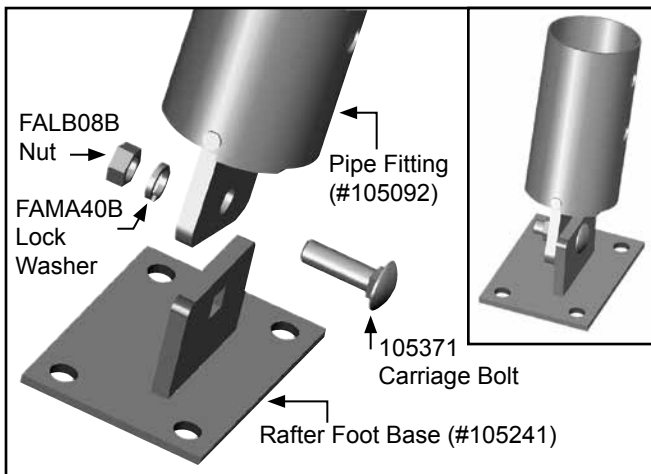
CLEARSPAN™ STORAGE MASTER

RAFTER ASSEMBLY (CONTINUED)

- Secure each pipe joint using one ½" x 4½" bolt, a single purlin connection bracket (#105350), and nut. *Install the nut against the purlin bracket as shown.*

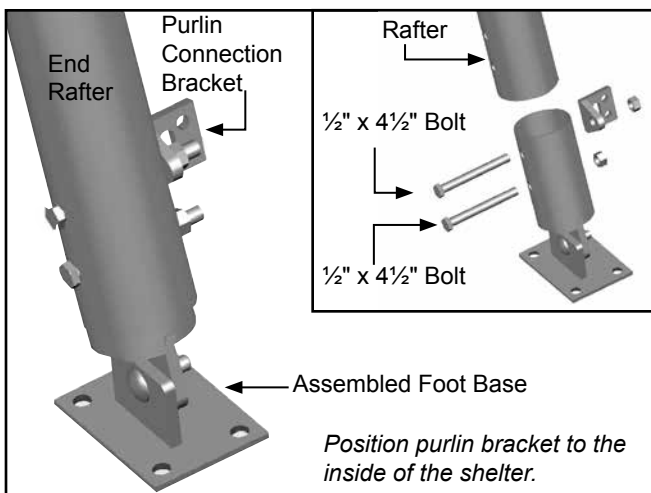


- Assemble a rafter foot using one (1) 3.25" pipe fitting (#105092) and one (1) base (#105241). Connect the pipe fitting and base using a carriage bolt, nut and washer as shown below. *Do not tighten at this time.*



NOTE: Align the pipe fitting with the foot base as shown in the insert above. This will maintain the on-center rafter spacing during frame assembly.

- Insert one (1) assembled rafter foot into the bottom of the rafter and secure using one ½" x 4½" bolt and a single purlin connection bracket in hole furthest from foot base as shown below.



- In the hole closest to the foot base, secure foot to rafter using a ½" x 4½" bolt. See previous photo insert.

ATTENTION: Install all brackets and bolts so they do not interfere with the installation of the main cover. *To protect the cover, tape all end rafter joints and mounting bolts with duct tape.*

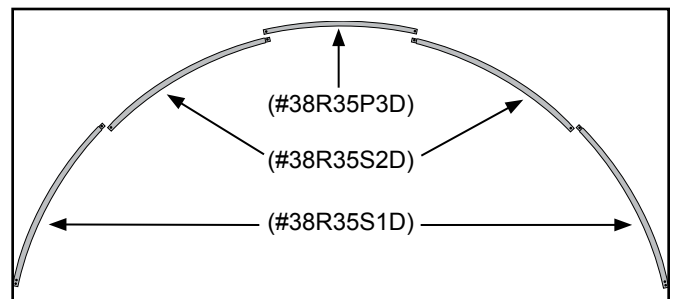
- Repeat Step 4-5 for the remaining rafter foot.
- Repeat the above steps to assemble a second end rafter.
- Set both end rafters aside and assemble the interior rafters.

Interior Rafter Assembly Procedure

In addition to the steps in the previous procedure, complete the following steps *for the interior rafters only.*

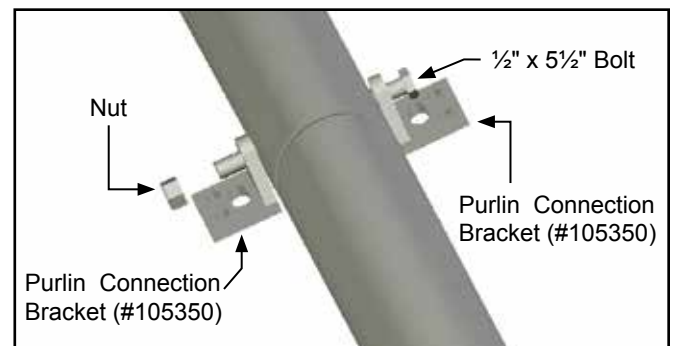
NOTE: The length of the shelter and the on-center spacing of the rafters determine the number of interior rafters. Locate the Quick Start Guide near the end of these instructions to view the frame for your shelter.

- Select the five (5) pipes needed to assemble a rafter and arrange these on a flat surface as shown below for assembly. See Page 6 for assembly suggestions.



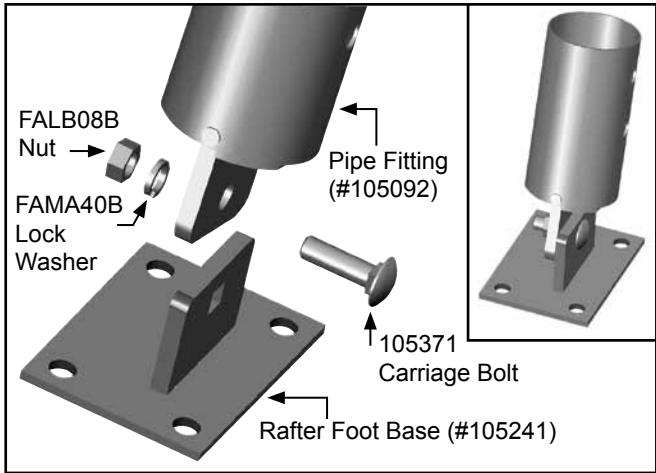
NOTE: For longer shelters, assemble and place the interior rafters in an accessible position that will not interfere with the frame assembly.

- Slide the swaged portion of each rafter pipe into the plain end of the pipe and align the 9/16" holes.
- Secure each pipe joint using one ½" x 5½" bolt and two (2) purlin connection brackets (#105350).



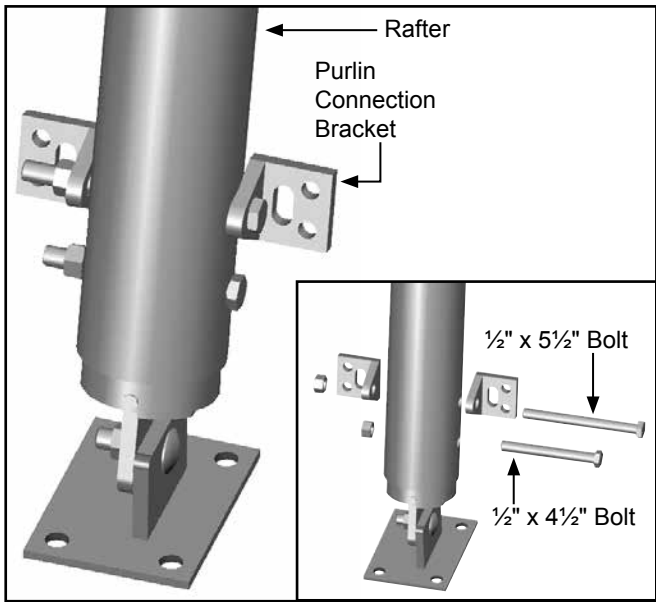
RAFTER ASSEMBLY (CONTINUED)

- 4. Assemble a rafter foot base using one (1) 3.25" pipe fitting (#105092) and one (1) base (#105241). Connect the pipe fitting and base using carriage bolt, nut, and washer. *Do not tighten at this time.*



NOTE: Align the pipe fitting with the foot base as shown in the insert above.

- 5. Insert one (1) assembled rafter foot into the rafter and secure it using (1) one 1/2" x 5 1/2" bolt and two purlin connection brackets positioned as shown.



- 6. In the hole closest to foot base, secure the foot to rafter using a 1/2" x 4 1/2" bolt. See insert above.

ATTENTION: Install all brackets and bolts so they do not interfere with the installation of the main cover. *To protect the cover, tape all rafter joints with duct tape.*

- 7. Repeat Step 4-5 for the remaining rafter foot.
- 8. Complete this entire procedure to assemble all remaining interior rafters. (See Page 6 for assembly suggestions.)

FRAME ASSEMBLY

Gather the parts:

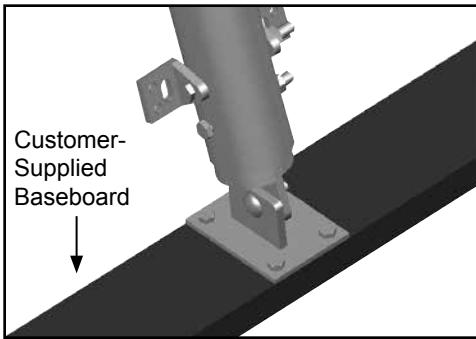
- All rafter assemblies
- Purlins: 4' spacing use purlin #105118; 5' spacing use purlin #105576
- 3/8" x 1" bolts and nuts

Frame Assembly Procedure

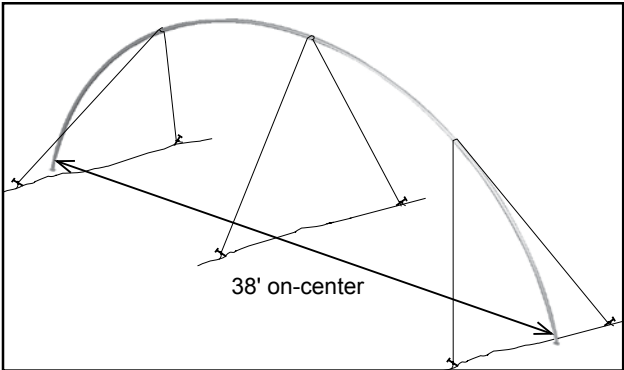
After all rafters are constructed and placed in an orderly fashion for frame assembly, proceed with standing the first end rafter. Forklifts and personnel booms are recommended for lifting and setting the rafters. Consult a construction professional if you are not familiar with construction techniques and erecting similar structures.

ATTENTION: Use the proper lifts. Rafter assemblies are heavy and awkward to handle.

Placing a baseboard beneath the feet of the rafters is strongly recommended. The feet then can be secured to the baseboard using the customer-supplied lag screws or similar fasteners. Baseboard can be treated or recycled plastic lumber. Contact Customer Service at 1.800.245.9881 for additional information.



- 1. Stand the first end rafter and stabilize it using rope, cable, or some other form of temporary bracing. Use a level (or other leveling device) to plumb the end rafter. Use a lift to support the rafter as it is set in place.

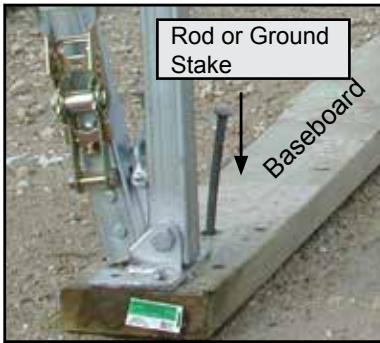
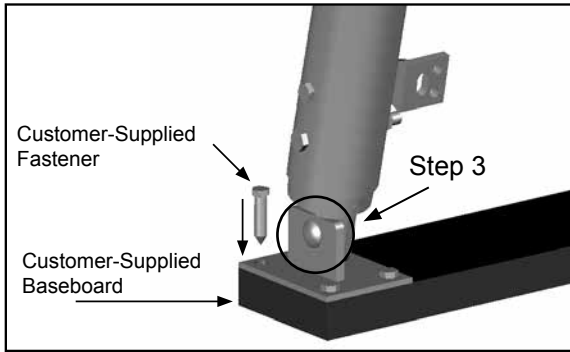


NOTE: Verifying that the end rafter is level and straight at this stage assists in setting and connecting the remaining rafters.

CLEARSPAN™ STORAGE MASTER

FRAME ASSEMBLY (CONTINUED)

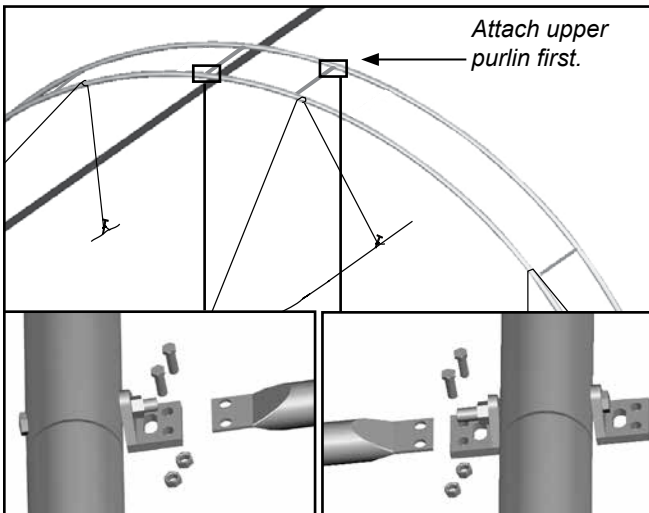
2. Verify that the on-center rafter width is 38' and secure the rafter feet to the customer-supplied baseboards (if used) to prevent the rafter from shifting.



NOTE: If a baseboard is used, drill holes through the board at evenly-spaced intervals along the length of the board. Drive a rod through each hole and into the site to prevent the boards from shifting and to maintain the on-center width of the building.

Actual rafter is not shown.

3. Tighten the rafter base mounting bolts. See above.
4. With the first end rafter set and width at 38' on-center, set the first interior rafter in place.

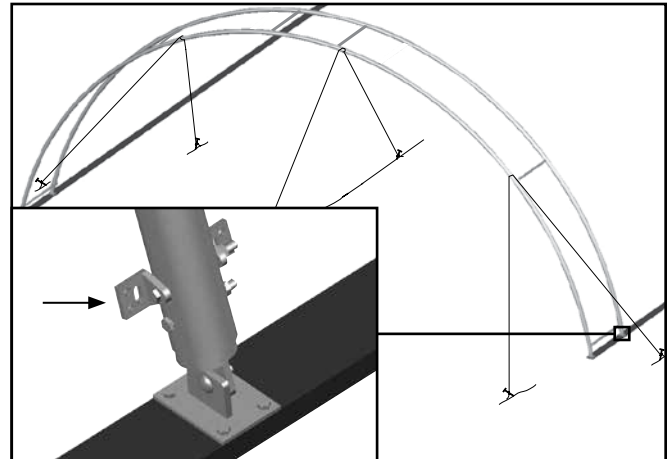


Purlin positions shown may differ slightly from actual frame.

5. While bracing the interior rafter in position, start at a purlin connection near the top and install a purlin. Attach each purlin using two 3/8" x 1" hex cap bolts and nuts per connection point. See inserts above.

NOTE: Align the rafter feet with the lines previously marked on the site (Page 7), or use the baseboards if these were placed under the feet as recommended.

6. With an upper purlin in position, move to the purlin position *above each rafter foot*, adjust the on-center rafter spacing as needed, and install those purlins.



ATTENTION: As the purlins are attached, tap the purlin brackets with a hammer to align the brackets with same brackets on the next rafter if needed.

7. Secure the mounting feet to the baseboard (if used).
8. Attach the purlins that remain between these first two rafters.
9. Verify that all bolts, including those that secure the rafter foot base to the pipe fitting (Step 4, Page 9), are tight.
10. Repeat the process to set and attach the remaining interior rafters and purlins.
11. After all interior rafters are in place, aligned, and secure, set and attach the final end rafter.

NOTE: When setting the last end rafter, verify that the purlin brackets are positioned to the inside of the frame.

12. With the basic frame assembled, read the **MUST READ** document to anchor the frame. *You must anchor the assembled frame before continuing.*

ANCHOR THE SHELTER

At this point, anchor the frame. Once the frame is anchored properly, continue with these instructions.

WARNING: Securing the rafter feet to baseboards set on the site is not a substitute for properly anchoring the shelter. You must anchor the shelter as described in the MUST READ document.

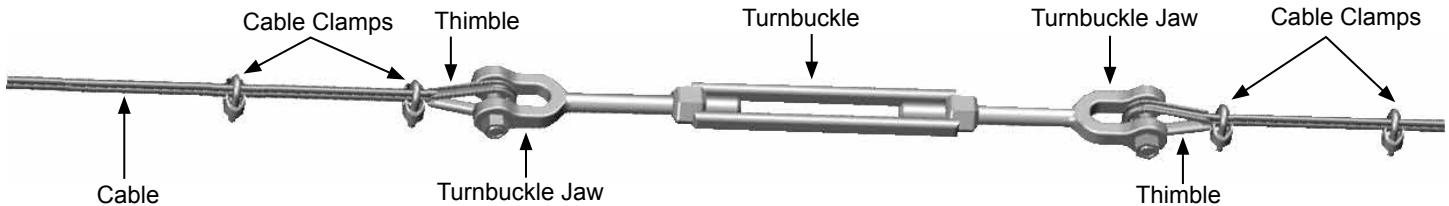
FAILING TO PROPERLY ANCHOR THE SHELTER WILL RESULT IN DAMAGE TO THE SHELTER AND MAY CAUSE PERSONAL INJURY.

READ THE MUST READ DOCUMENT TO PROPERLY ANCHOR THE SHELTER.

CABLE ASSEMBLY

Cable assemblies provide diagonal bracing for the building. Each cable assembly includes the following items:

- Two (2) lengths of cable: Measure from point-to-point on the frame and cut as needed.
- Turnbuckle (1)
- Cable thimbles (4) and cable clamps (4)



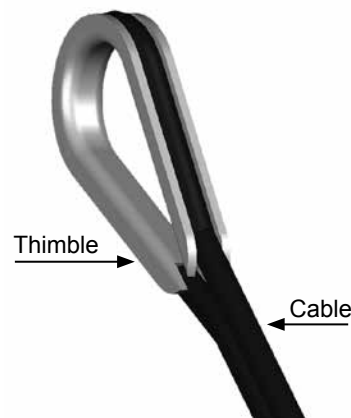
Typical Turnbuckle Assembly

NOTE: For each cable assembly, two (2) additional thimbles and four (4) additional cable clamps are used to attach the cable assembly to the purlin clamps. Consult the Cable Diagram on the following page and the Side Profile Diagram in the Quick Start section for clarification and cable locations.

Cable Assembly Procedure

1. Using the Side Profile Diagram in the Quick Start section (and others) as guides, measure the distance needed on the frame and cut the cable to the proper length for each assembly. Remember to account for the turnbuckle and the cable length needed to attach the thimbles at each end. (Extra cable has been sent for the cabling.) Make a single assembly *before* making them all. This allows a check to be sure the correct length has been cut. Make the necessary length adjustments as needed before making additional assemblies. Always measure before cutting the cable.
2. Place one cable thimble approximately twelve inches (12") from the end of a cable section and wrap the cable around the thimble as shown in the figure to the right.

3. Grasp both sections of the cable near the thimble and position one cable clamp one inch away from the thimble as shown above.



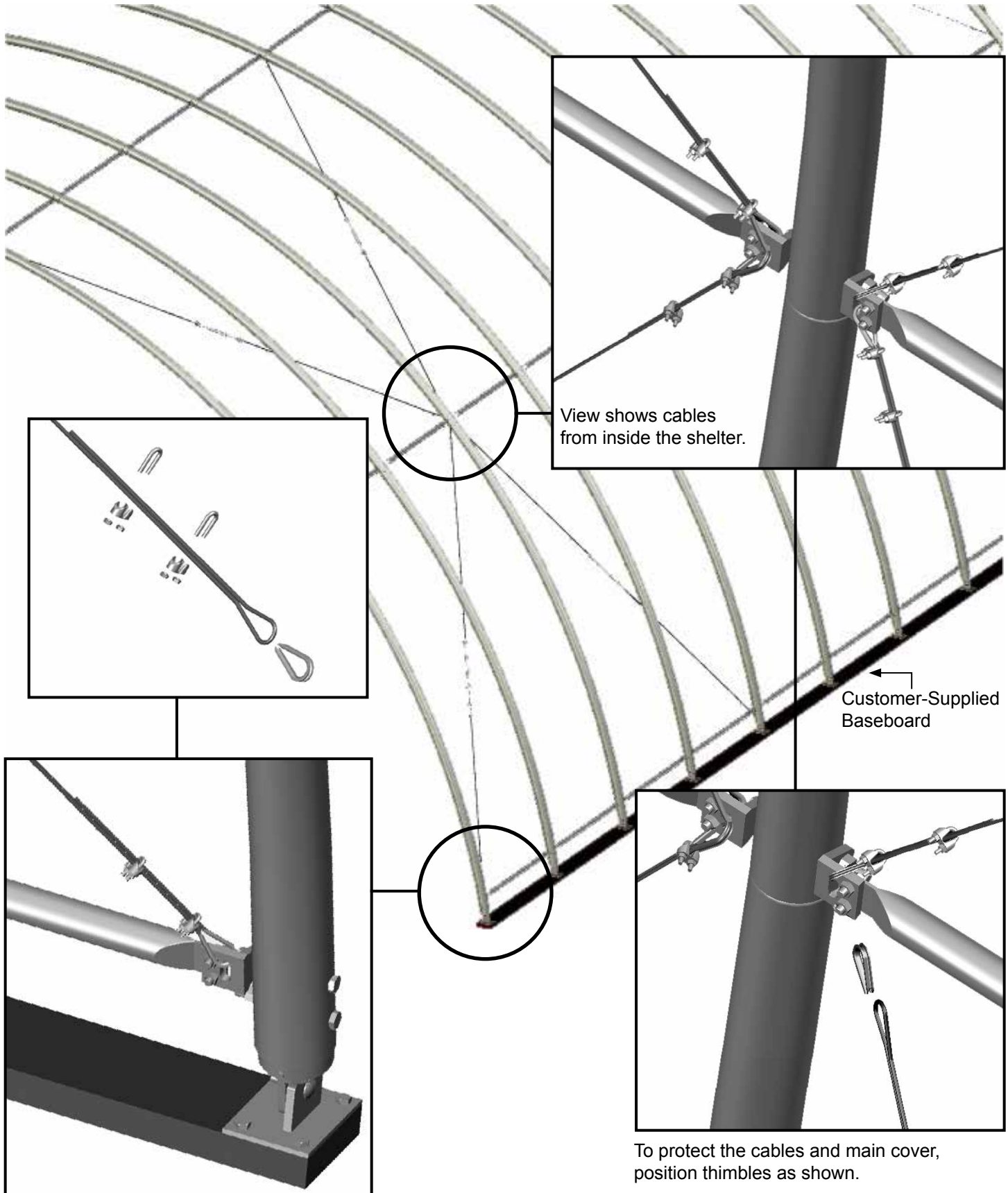
NOTE: Position the clamp on the cable with its U-bolt portion over the short/dead section of the cable.

4. With the saddle portion of the cable clamp in position on the "live" section of cable, thread the nuts onto the U-bolt section of the clamp and tighten slightly to maintain the position of the clamp on the cable.
5. Install a second cable clamp on the cable six to eight (6"-8") inches from the first clamp and tighten both clamps.
6. Remove the bolt from the jaw of the turnbuckle and position the cable end with the thimble into the turnbuckle jaw.
7. Insert the bolt through the turnbuckle jaw and the cable thimble, thread the nut onto the bolt, and tighten to secure the cable to the turnbuckle.
8. Repeat Steps 2-7 for the remaining length of cable for this assembly.
9. Open the turnbuckle to its longest position and set the assembly aside.
10. Repeat the above procedure for all remaining side and upper cable assemblies. Length of upper cables may differ from the side cables. *Always measure length on the frame before cutting the cables.*
11. Attach the cables to the assembled frame. See the diagrams on the next page. Do not tighten turnbuckles at this time.

CLEARSPAN™ STORAGE MASTER

CABLE PLACEMENT

The diagram and inserts below identify the placement and proper way to attach the cable assemblies to the building. Anchor the assembled frame before you tighten the cables. Consult the Side Profile Diagram in the Quick Start section.



View shows cables from inside the shelter.

Customer-Supplied Baseboard

To protect the cables and main cover, position thimbles as shown.

INSTALL THE SIDE RATCHETS FOR THE MAIN COVER

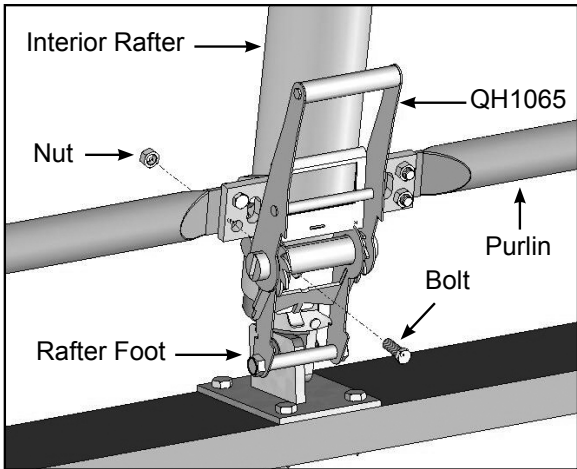
Before turnbuckles are tightened, attach all QH1065 side ratchets on the inside of the assembled frame.

Gather the parts:

- Large ratchets (#QH1065)
- Tek screws (#FA4482B)

Complete the following steps to secure the ratchets to the rafter legs.

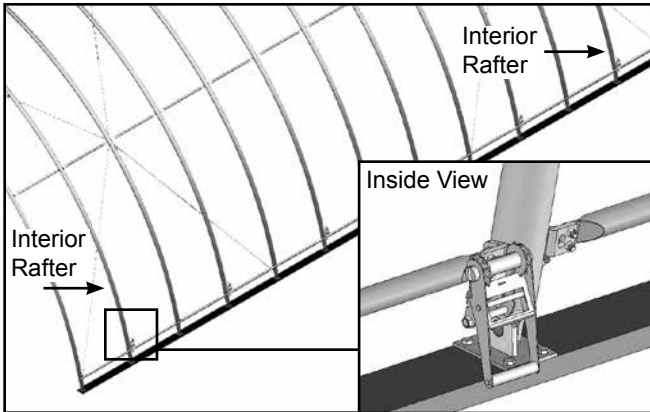
1. Locate all QH1065 ratchets and divide the quantity in half. Use half for each side of the frame.
2. At the first interior rafter, attach the ratchet to the purlin bracket as shown. Use the lower purlin mounting bolt. See diagram below if needed.



View shows the inside of the frame.

ATTENTION: Insert the bolt as shown when attaching all side ratchets. Use the lower purlin mounting bolt to secure all side ratchets.

3. Evenly space the remaining QH1065 ratchets along the inside of the frame and attach as shown below.



ATTENTION: Consult the Side Profile Diagram in the Quick Start Section for ratchet locations. Do not attach ratchets to any purlin bracket where a cable is secured.

Install ratchets immediately across from each other on the same rafter.

Depending on the frame length, you may not be able to install the ratchets on every other rafter as shown above. The main point is to space the ratchets as evenly as possible and opposite one another on the same rafter to best stretch and secure the main cover.

4. After installing all side ratchets, tighten the cables.

TIGHTEN THE CABLES

Consult the Side Profile Diagram in the Quick Start Section for cable location details. (The positions of the cable assemblies are identical for the opposite side and the remaining end of the frame that are not shown in the Side Profile and Cable Placement diagrams.)

1. After attaching all cable assemblies, return to the first set of cables and tighten the turnbuckles. Tighten the turnbuckles in each section evenly so that the frame remains plumb.
2. After one set of cables is tightened, move to another set and repeat the tightening steps.
3. Repeat this process until all cables are tight and continue with the installation of the end wall framing.

FINAL FRAME CHECK

1. Return to the frame connections and verify that all bolts are tight.
2. Inspect the frame for any sharp areas that could damage the cover. If found, reposition components or tape with layers of duct tape.
3. Verify that all bolts regarding the end rafters are positioned with the heads to the outside of the frame. Tape the bolts and rafter joints before installing the cover.

CLEARSPAN™ STORAGE MASTER

END WALL INSTALLATION

Consult the end wall diagrams in the Quick Start section of these instructions *before* you begin.

Assistance is required to assemble the end wall. Lifts designed to reach the top of the end rafter are also needed. Consult a qualified construction professional if you are not familiar with the construction of similar frame structures.

Install the Door Frame Tubes (Jambs) and Header

The following steps describe one way to assemble the door frame of the end wall. Repeat the steps for the other end wall.

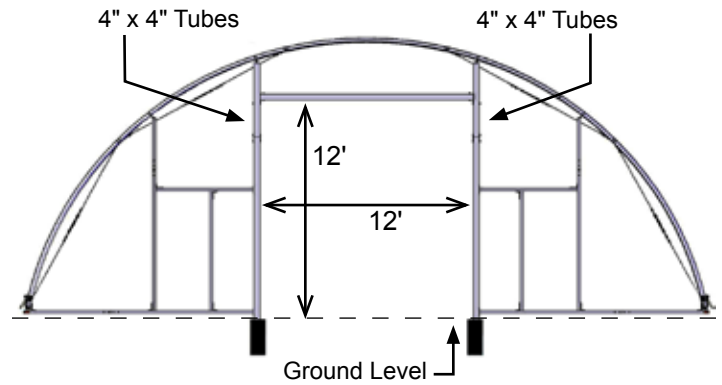
1. At ground level, measure *between the legs of the end rafter* to locate the center of the end wall. Use a plumb line to identify the center of the end rafter and mark that location on the ground as well. (See Quick Start guide.) Center the door in the end wall.

NOTE: Marking the center of the end wall allows multiple measurements to be made as needed.

2. Using the dimensions on the End Wall Frame diagrams, locate the positions of the *vertical door frame members* for the door. The width of the door determines the frame dimensions for the door opening. *Consult the diagrams and documentation sent with the door for additional framing details.*
3. Dig a 12" diameter hole *at the locations found in previous step* to a depth that is below the geographic frost line.
4. Set two (2) 4" x 4" x 12' tubes aside for the two (2) headers and use the remaining 4" x 4" tubes to assemble the four (4) vertical door frame members. Attach the tubes to the end rafter. (See Quick Start guide for additional details.)

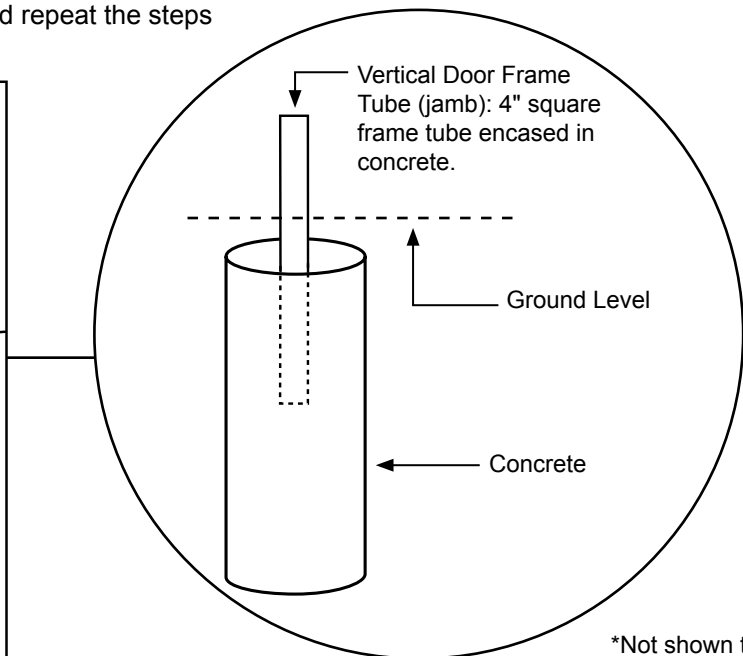
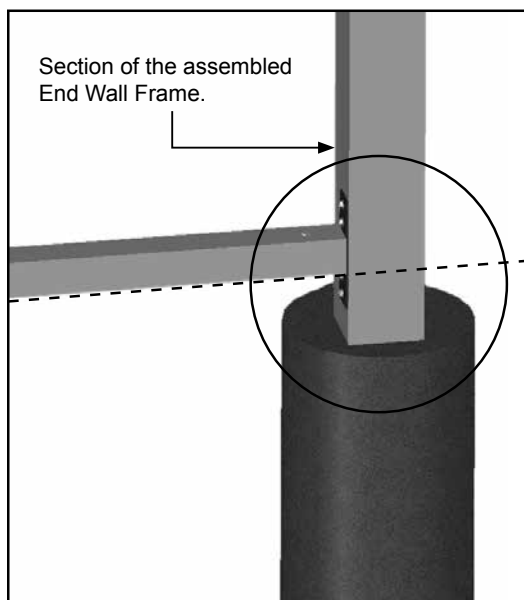
ATTENTION: Each tube will extend into the hole dug in Step 3. *Tube length depends on door width and hole depth.*

5. After the vertical door frame members are plumb and the correct distance apart, *brace the tubes in position*. Use the End Wall Diagram—Front to space the vertical door frame members. *When installed correctly, the tubes are directly below the end rafter.*
6. Add concrete to the hole. Concrete should remain 2"- 4" below ground level so that it does not interfere with construction and installation of other end wall components. *Allow the concrete to set.*
7. Add the header to complete one door frame and repeat the steps for the remaining end wall.



Dimensions shown above are inside-to-inside.

ATTENTION: Use the 1/2" x 5-1/2" bolts (#104188B) to secure the #105351 mounting brackets and #105243 mounting plates. Refer to the End Wall Diagrams (Quick Start Guide) for additional details.



*Not shown to scale.

END WALL INSTALLATION (continued)

Assemble the End Wall Frame

After assembling and anchoring the 4.00" x 4.00" door frame (including the header), assemble the remainder of the end wall.

NOTE: The FA4482B Tek screws are used to fasten the following connectors:

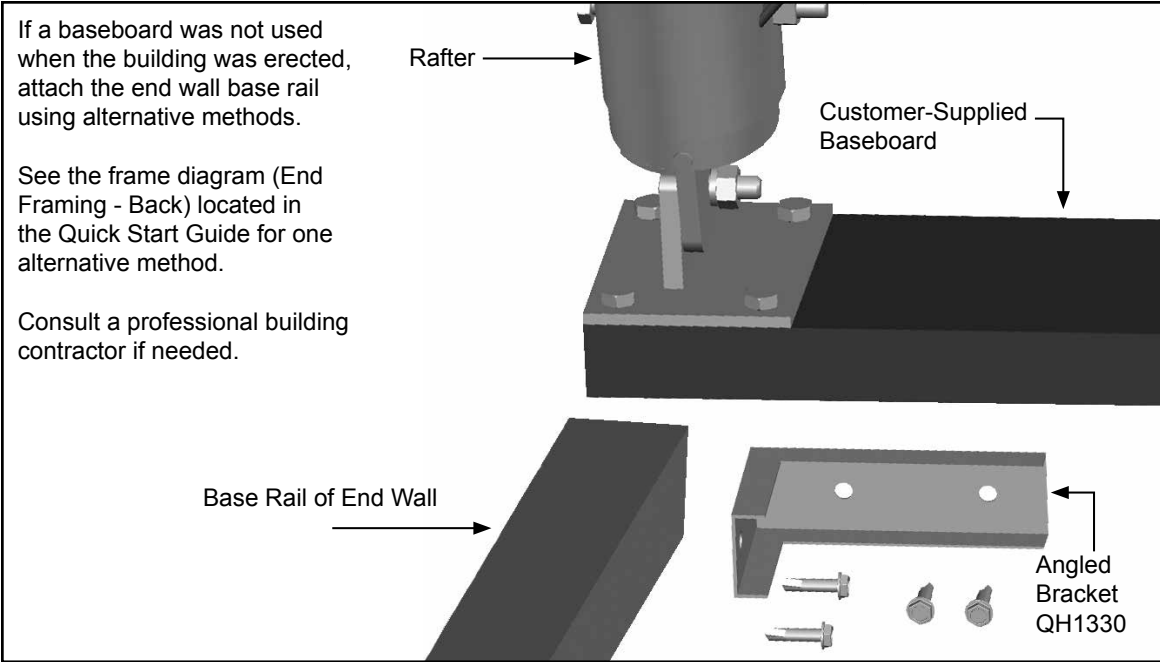
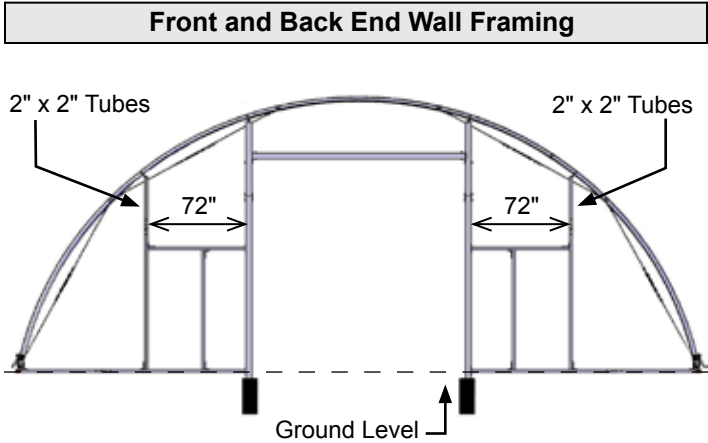
- QH1330 angled brackets
- 104624 1-Way square tube fittings
- 104075 square tube connectors

Complete the following steps:

1. Using the End Wall Frame diagrams and the 2" x 2" square tubing, related hardware, and connectors, assemble the remainder of the end wall.

NOTE: Consult the diagrams in the Quick Start section to properly position and connect the brackets. Diagrams show the end wall framed the same on each side of the overhead door opening.

2. Repeat the steps to assemble the end wall framing for the remaining end of the building.
3. Attach the end wall base rail as shown in the diagram below or on the diagrams in the Quick Start section.



4. After the end frame is assembled, check the frame for sharp edges and wrap as needed to protect the cover and end panel. See the Final Frame Check procedure on page 13 for additional details.
5. Continue with the main cover installation.

CLEARSPAN™ STORAGE MASTER

PREPARE MAIN COVER

Gather the parts:

- Pipe 1.66" x 99" swaged
- Pipe 1.66" x XX" plain: The XX refers to the length of the plain pipe needed to reach the end of the frame and to complete the conduit. Consult the Side Profile Diagram in the Quick Start section of these instructions for your building to identify this pipe length.
- Main cover and Tek screws

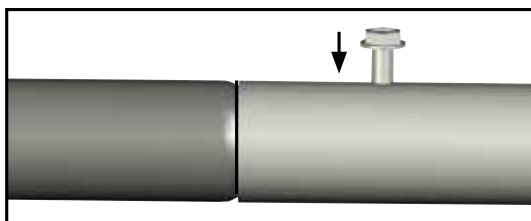
Assembly Procedure

NOTE: When handling the main cover and setting it in position, do not pull on the end straps. They will pull out of the cover. *Do not insert any cover conduit into a cover pocket that includes a pre-installed strap.*

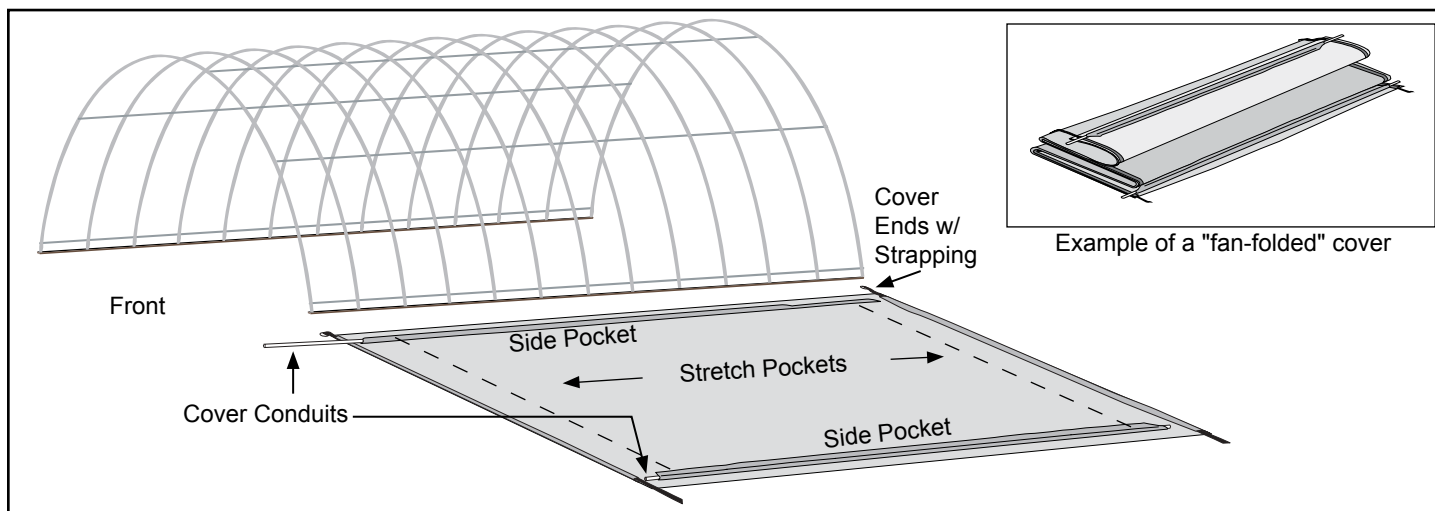
⚠ WARNING: To prevent damage to the cover and to prevent serious personal injury, DO NOT attempt to install the main cover on windy days.

1. Assemble two main cover conduits. Start each cover conduit assembly with one plain pipe and add swaged pipes to arrive at the length of the frame. *This cover conduit is identical to the on-center length of the shelter.* Once assembled, the cover conduits are inserted into the side pockets of the main cover. The conduits are used to tighten and secure the main cover to the frame. *Consult the Side Profile Diagram in the Quick Start section for pipe identification.*

- a. Locate all sections of pipe needed to assemble the cover conduit.
- b. Insert the swaged end of each pipe into the plain end of another pipe until the conduit is assembled.
- c. Secure each pipe joint with a Tek screw.
- d. Use duct tape to tape over each Tek screw.



2. After assembling the cover conduits, locate the main cover and unfold it on a clean, smooth surface near the frame. Unfold the main cover with the inside surface facing up and the straps positioned at the front and back of the frame. If the cover is "fan folded" (see insert below), see the information on the next page. *Do not unfold at this time.*



3. Align the cover ends with the front and back of the shelter and insert one cover conduit into each side pocket of the main cover.

NOTE: Shelter shown above may be of a different style or length than actual shelter.

4. Continue by pulling the cover up and onto the frame.

ATTACH MAIN COVER

Gather the parts:

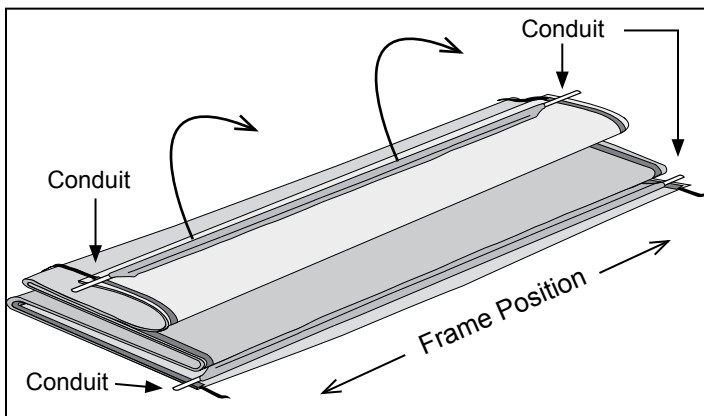
- Main cover (with conduits inserted)
- Ropes (provided by customer) or strap long enough to reach over the frame
- Box cutter or utility knife

⚠ WARNING: To prevent damage and injury, do not leave the cover unattended if it has not been properly secured. The ropes can be used to temporarily keep the cover from blowing off the frame.

Assembly Procedure

1. To pull the cover over the frame, attach ropes or straps to both ends of the cover conduit positioned *furthest from the frame*.

ATTENTION: If the cover is fan folded as shown in the diagram below, tie the rope or strap to the conduit that is on the top of the folded cover.



Example of a "fan-folded" cover.

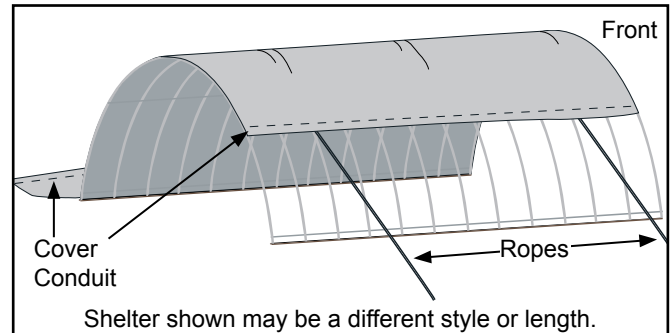
2. Wrap the rope around the conduit a few times to prevent it from slipping off.



NOTE: Depending on the length of the cover it may be necessary to attach additional ropes to the cover conduit between the end ropes by cutting a small opening in the cover pocket and tying the rope around the conduit.

DO NOT cut through the main cover. *Cut through the conduit pocket only.*

3. With all ropes attached to the cover conduit, lift and carry the conduit and cover toward the base of the assembled frame. *Does not apply if cover is fan folded.*
4. Toss the ropes over the frame, and pull the cover into position. Position one person at each rope. *Verify that the cover pockets are to the inside of the building. This will be the underside of the cover when it is pulled into position on the frame.*



NOTE: Use lifts and additional assistants (if needed) to help pull the cover up and over the frame.

5. Once the main cover is pulled into position, center the cover on the frame (end-to-end and side-to-side).

⚠ WARNING: To prevent damage and injury, do not leave the cover unattended if it has not been properly secured.

6. Tie the ropes, used to pull the cover into position, to the frame to temporarily hold the cover in place.
7. Continue with the installation of the side straps.

CLEARSPAN™ STORAGE MASTER

INSTALL THE MAIN COVER SIDE STRAPS

The side straps wrap around the conduit in the side pocket. The ends of each strap are then fed into each side ratchet attached to the rafter legs and slightly tightened to keep the cover in position.

Required parts and tools:

- CC5391 - 2" yellow strap (Strap may ship in bulk. If so, measure and cut to length as needed.)
- Tool to cut slits in cover conduit pockets

Complete these steps to install the side straps:

1. Move to one side ratchet attached to a rafter and cut a slit in the conduit pocket above the conduit in line with the ratchet.



Photos above show using a utility knife to cut a slit above the conduit, which has been inserted into the main cover side pocket. Cover, rafter, and frame design differ from actual shelter. Procedure is the same.

NOTE: If ropes were used at these locations when the main cover was pulled in place, a slit in the cover pocket may already be present.

When creating the slit in the pocket for the strap, *do not cut the main cover. Cut only the pocket material.*

2. Select one of the tie down straps (CC5391) that shipped with the building and insert one end of the strap through the slit and around the cover conduit.



NOTE: Using the ratchet position as a guide, cut the strap to the proper length if needed. *Do not cut the strap too short.*

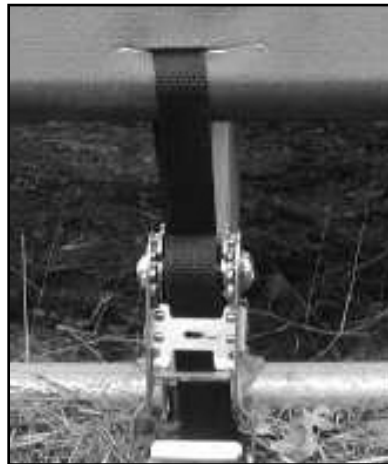
3. Feed both ends of the strap through the slot in the ratchet and slightly tighten the strap.



NOTE: Do not tighten completely at this time.

Frame and ratchet location differ from actual frame. Steps to install the main cover are similar however.

4. Repeat the previous steps to install and slightly tighten the remaining straps.



NOTE: Do not tighten completely at this time.

5. After all side security straps are in place and slightly tightened and the cover is centered evenly on the frame, complete the following steps to install the PVC cover conduit to stretch the cover end-to-end.

NOTE: *The following procedure applies to shelters longer than 48'.*

If your building length is 48' or shorter, skip the next section and continue by tightening the side ratchets as described on Page 21.

INSTALL THE PVC CONDUIT FOR MAIN COVER ENDS

The PVC conduit is inserted into notched pockets at each end of the main cover. Strapping is then threaded around the conduit and the end rafters. This strapping is evenly tightened to stretch the main cover end-to-end.

Required parts and tools:

- LJ2842 (3/4" PVC conduit) and 103620E (1" strap)
- Duct tape, Tek screws, and driver for Tek screws
- Tool to cut strap, a lift or ladders to reach top of frame, and assistants to install and tighten strap

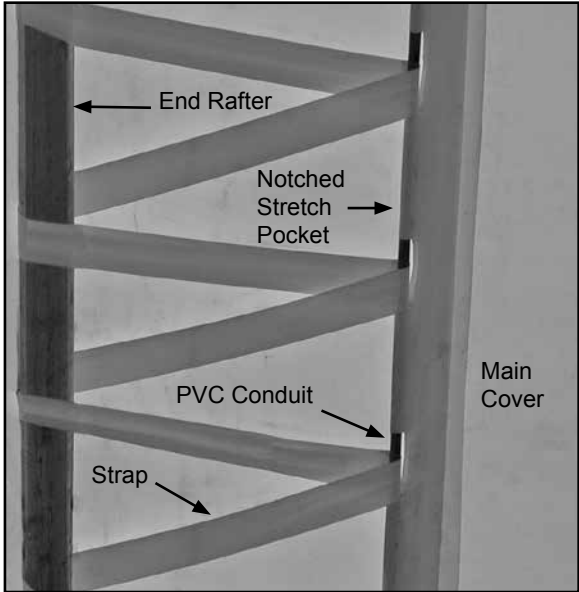


Photo shows the stretch pocket and the conduit and strapping as installed for a similar main cover. View shows the cover as seen when standing inside the frame looking up at the end rafter.

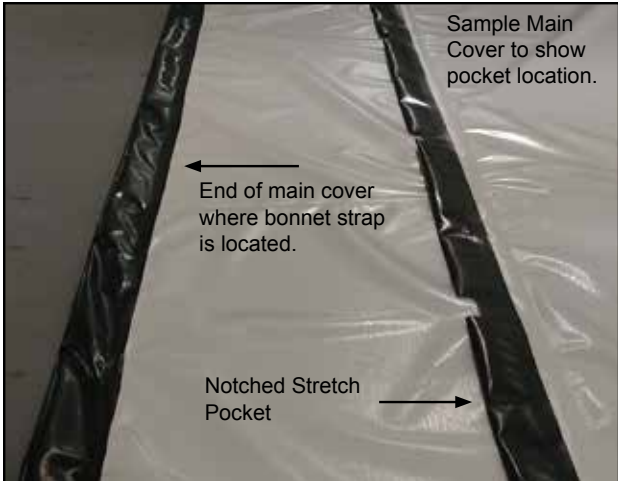


Photo above shows a similar cover and the location of the stretch pocket. Cover is shown with the underside facing up, which is the side visible from inside the frame when the cover is installed.

PVC conduits are installed near the ends of the main cover to provide an additional tie-down position. Complete these steps to install the conduit and strapping for the stretch pockets of the main cover.

1. Take the first section of PVC conduit and feed it into the stretch pocket from the bottom at one end of the cover. *Insert the plain end of the conduit into the pocket so the next section can be joined to the first.*

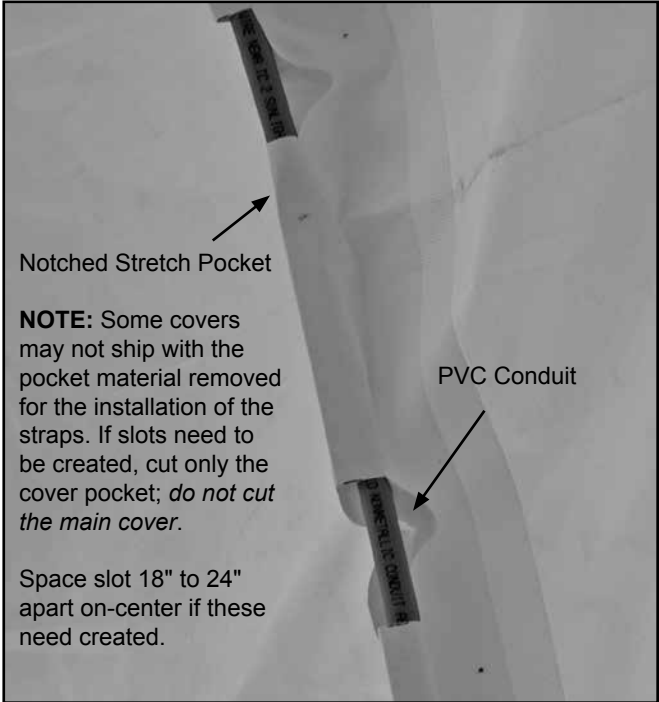
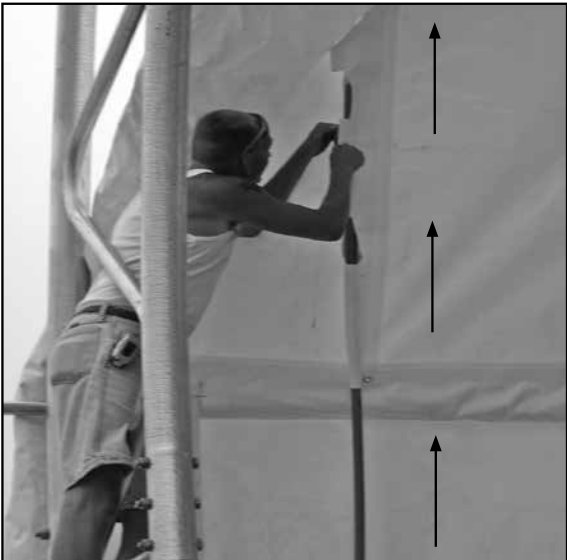


Photo shows the notched stretch pocket and the installed PVC conduit at the end of a similar main cover.

2. Once the bell end reaches the pocket, take another section of PVC conduit, insert the plain end into the bell end of the previous section and secure the joint using a Tek screw or customer-supplied PVC glue.



NOTE: Wrap the Tek screw and joint using duct tape.

CLEARSPAN™ STORAGE MASTER

INSTALL PVC CONDUIT (CONTINUED)

3. Repeat the steps and continue to assemble and feed the PVC conduit into the pocket.
4. Once the PVC conduit is fully assembled, secured at the joints, and inserted into the pocket, repeat the steps for the remaining end of the main cover.
5. With both PVC conduits assembled and installed, verify that the cover is centered on the frame (side-to-side and end-to-end) and move to one end rafter.
6. Take the rope or strap used to pull the cover and cut a few sections long enough to tie the PVC conduit to the end rafter in evenly spaced locations. See example in the photo below.

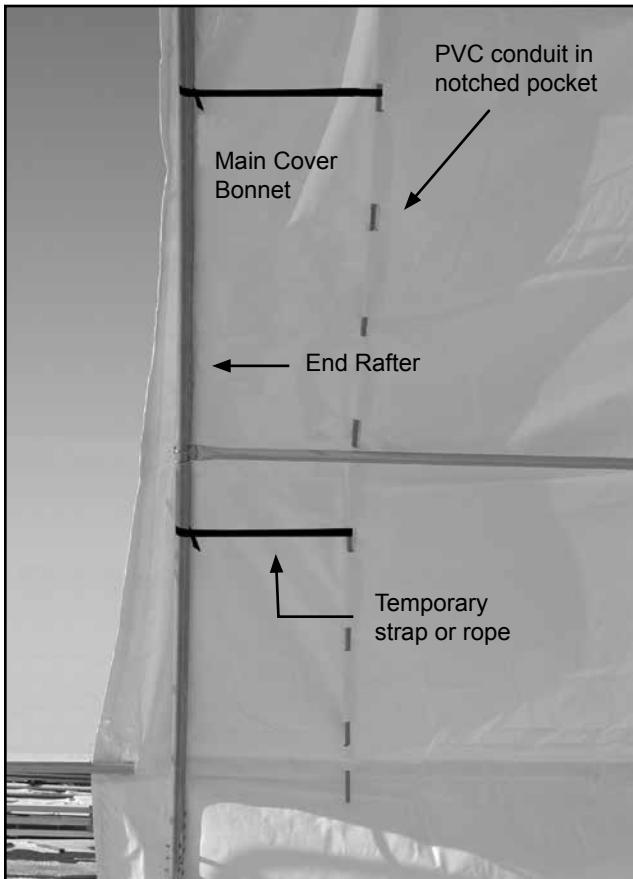


Photo shows temporary straps tied between the PVC conduit and the end rafter to keep the main cover centered on the frame as the strapping at the other end of the frame is installed. Cover used for illustration only. Actual cover may differ from what is shown.

7. Move to the end of the frame opposite the end where the temporary straps were tied, take one end of the bulk roll of 1" strapping, and weave it around the end rafter and PVC conduit.

8. Continue weaving the strap around the end rafter and PVC conduit working up and over the rafter and down to the other end of the PVC conduit.

NOTE: Keep the strapping snug during this step, but do not over tighten. Also, maintain an even distance between the top of the end rafter and the PVC conduit.

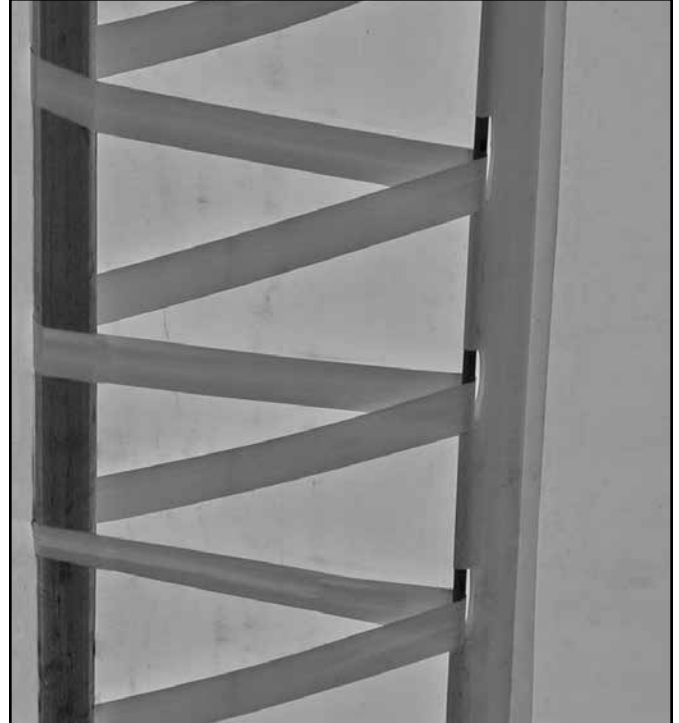


Photo shows how to weave strap around the conduit inside the main cover pocket and the end rafter. (Cover and rafter shown differs from actual cover.) Distance between the conduit in the pocket and the end rafter is even.

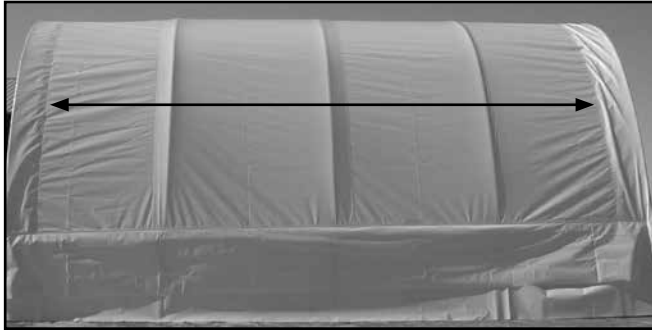
9. After weaving the strapping, cut the strap and tie it to the end rafter to temporarily secure it.
10. Take the remainder of the bulk strap roll, move to the other end of the frame, and repeat the steps to weave the strap between the PVC conduit and the top of the end rafter.

NOTE: The temporary rope at this end can be removed once the main strapping is in place.

11. After the strap is completely installed at this end, cut the strap to length and tie it to the end rafter.

INSTALL PVC CONDUIT (CONTINUED)

- Beginning at either end of the cover, tighten the strap. The strapping will pull against the strapping installed at the other end of the frame.



Shelter shown above may be a different model and length. Photo used for illustration purposes only.

NOTE: Maintain an even distance between the end rafter and the PVC conduit as the strap is tightened.

Also check that the bonnet portion of the main cover overlaps the end rafters evenly at both ends *before* stretching the cover. Check this periodically as the cover is stretched.

If the side straps are too tight and prevent the cover from stretching end-to-end, loosen but do not remove the straps as needed and continue.

- Once the strap is tight at one end, cut it to length (if needed) and tie it to the other leg of the same end rafter.
- Return to the other end of the frame and tighten that strapping (if needed) to complete the stretching of the main cover from end-to-end.
- Drive a Tek screw and washer through the strapping and into the rafter near the lower end of the strap to keep it tight.
- Continue by tightening the side ratchets.

TIGHTEN THE SIDE RATCHETS

Verify that the cover is in the desired position and centered on the frame. (Loosen and reposition if needed.) Continue with these steps to tighten the side ratchets.

- Move to the side ratchets attached to each leg of one rafter. Begin at an inside rafter near the center of the frame.
- With an assistant at one side ratchet and someone at the other side ratchet *on the same rafter*, tighten the ratchets to secure the cover.

Tightening the ratchets at the same time on the same rafter helps keep the cover centered and results in a more uniform appearance.

- Move to another rafter and repeat the steps to tighten the side ratchets attached to that rafter.

NOTE: If the strap builds up in the ratchet, loosen the ratchet, remove some of the strap, and retighten.

- After all side ratchets are tight, *pull the bonnet portion of the main cover up and over the end rafter to expose the end rafter for the end panel installation.*
- Continue with the installation of the end panels.



Space below is reserved for customer notes.

CLEARSPAN™ STORAGE MASTER

END PANEL INSTALLATION

The following procedure describes installing an end panel that includes D-rings at the top and vertical and horizontal pockets heat sealed to the inside surface of the panel. Complete these steps to install an end panel of this design.

Required parts include:

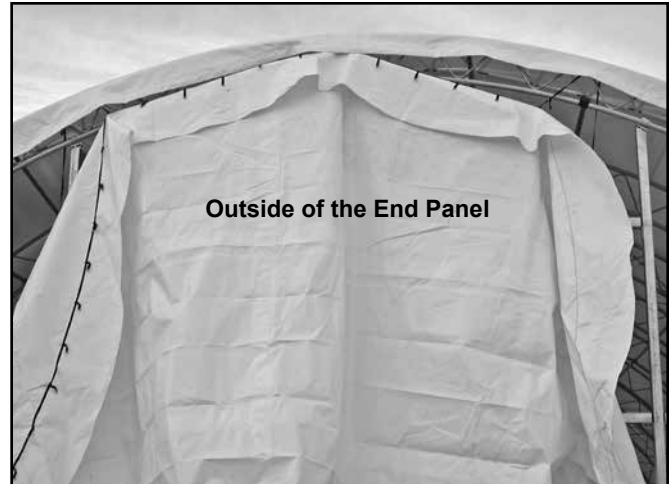
- End panel
- 131S075 pipe
- LJ2842 PVC pipe
- QH1061 ratchets & 103620E 1" strap
- FAMF01B washers & FA4482B Tek screws

! DO NOT ATTEMPT TO PULL THE END PANEL INTO POSITION ON WINDY OR STORMY DAYS!

1. Position the panel flat on ground with the long edge against the bottom end wall frame member and the pockets facing up. (The pockets and D-rings should be visible when the panel is positioned properly.)
2. Locate the D-rings near the top edge of the panel and tie a section of 1" strapping (or rope) to the center-most D-ring. Tie two additional straps on each side of the center D-ring, allowing a few feet to remain between the straps.

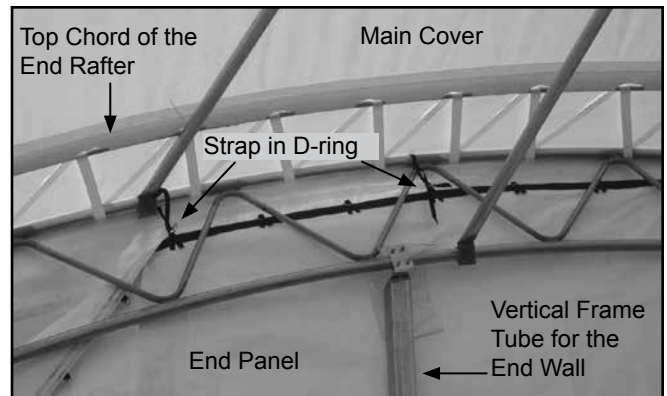


3. With the temporary straps (or customer-supplied rope) in place, pull the end panel up to the end rafter and secure the end panel to the end rafter using small sections of the 1" strap. *Keep the panel centered.*



NOTE: Pull the top edge of the end panel to within 6" of the rafter. (Approximately 1 to 2 feet of the end panel material will remain at and run *along the base of the end wall*. In a later step, this can be wrapped under or secured to the bottom tube of the end wall frame. Or, it can remain as a skirt to direct water away from the shelter.)

The end panel must touch the ground after the top edge of the panel is secured to the rafter. Adjust panel and strap as needed.



View (above) is from the inside of the shelter looking at the end panel. Frame and rafter shown are different from your frame. The technique used to secure the end panel is the same however. Photo shows the main cover installed.

END PANEL INSTALLATION (continued)

- Once the end panel is temporarily secured, take the roll of 1" strapping and weave the end of the strap through the D-rings and around the rafter pipe as shown below.

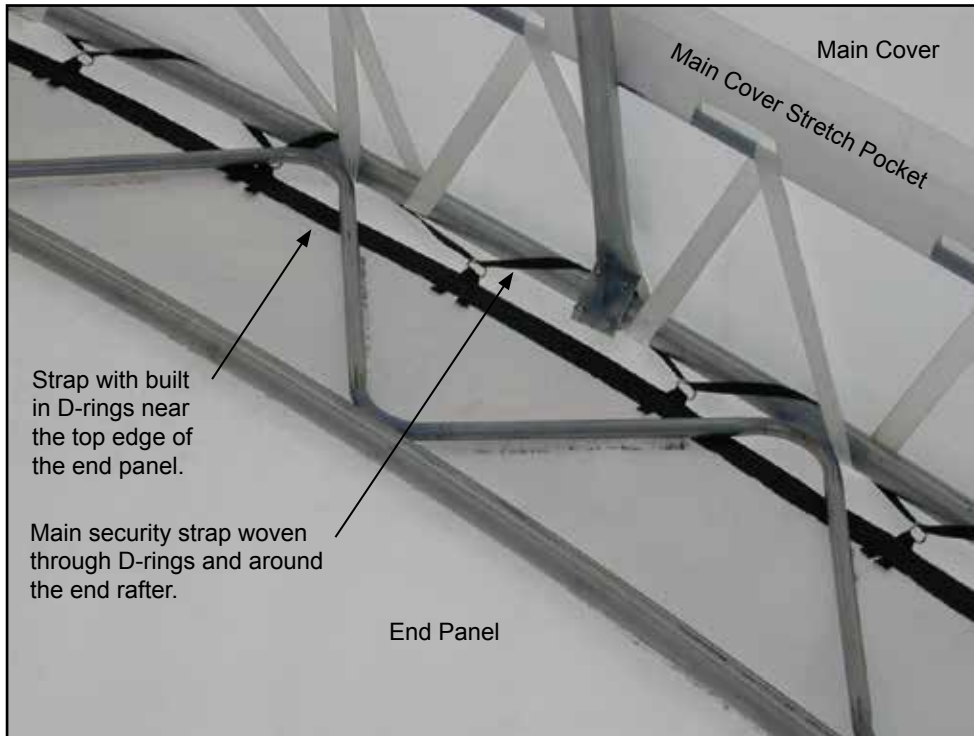


Photo above shows a building with the main cover already installed. View is from the inside looking up at the rafter and main cover. Rafter design may differ from actual rafter.

NOTE: Maintain an even space between the rafter and the top of the end panel. The end panel flap that extends beyond the D-rings is tucked *between the rafter and the main cover*.

DO NOT attach the flap to the end rafter at this time.

- Stretch the bottom of the end panel evenly out on the ground along the bottom frame tube of the end wall frame (if needed) and tighten the 1" strap at the top of the end panel. Top of end panel must remain as close to the rafter as possible.

NOTE: Verify that the lower end of the panel remains on the ground as the top is tightened. If the panel begins to lift off the ground, loosen the top evenly along the radius of the rafter. (In a later step, the end panel is stretched from the bottom to pull the panel tight and into position using the end panel horizontal conduit, straps, and ratchets.)

- With the top edge of the end panel secured, continue by installing the end panel conduit.

CLEARSPAN™ STORAGE MASTER

END PANEL INSTALLATION (continued)

End Panel Conduit Installation

End panels include vertical and horizontal pockets on the inside surface of the panel. PVC tubes (vertical) and metal pipe (horizontal) are inserted into these pockets. The conduit then is secured to the vertical frame members of the end wall using straps and to the bottom end wall frame member using ratchets and straps.

These vertical and horizontal conduits help prevent the end panel from flapping against the end wall framing in the wind. Complete these steps to install the PVC conduit and the metal conduit.

Required Pipe: 1.315" x 75" swaged Pipe (#131S075)

ATTENTION: This metal pipe is inserted into the *horizontal pocket* on the inside surface of the end panel. *If doors are to be installed, cut the pipe to the correct length to properly fit into the pocket and to remove it from the opening.*

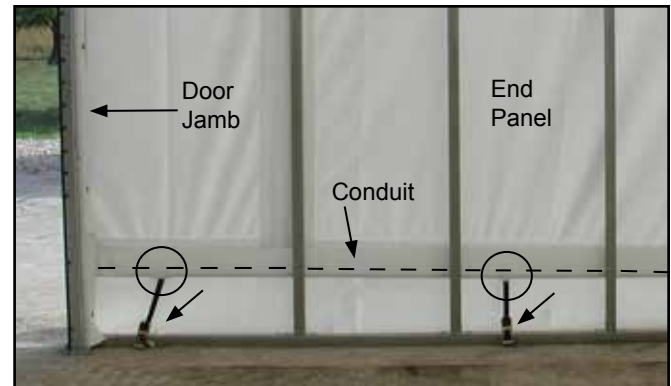
1. Locate the 1.315" pipes and assemble sections to achieve the required length. Cut to length if needed.
2. Secure each pipe joint with a Tek screw and wrap the joint and screw with duct tape to prevent damage to the end panel.
3. Insert the assembled conduit into the end panel horizontal pocket. (End wall and panel shown are used for illustration only. These may differ from the actual items in design and size.)



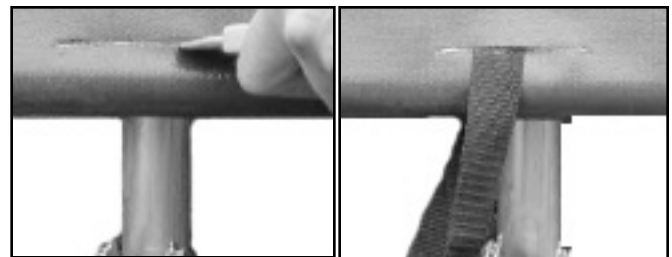
NOTE: Do not install the horizontal conduit in the portion of the pocket extending into any door opening. Inside is shown.

4. Set four (4) QH1061 ratchets aside to install later *for the main cover*. These are the smaller of the two ratchet sizes.
5. Take four (4) of the remaining QH1061 ratchets and attach these to the inside of the end wall base rail using FA4482B Tek screws. Space the ratchets evenly along the base rail (2 on each side of the overhead door opening) in a location that will not interfere with the installation of door.

NOTE: For end walls with door openings, attach the ratchets in locations that will best secure and stretch the end panel. This may or may not be "evenly" spaced.



6. Once the ratchets are attached, make a horizontal slit (approximately 3"– 6" long) in the horizontal pocket containing the metal conduit directly above each ratchet. See the circles in the photo above. (Photos show a different frame.)



WARNING: Cut only the end panel pocket. *DO NOT cut through the end panel.*

7. Locate the 1" strapping and cut a section that reaches from the ratchet (#QH1061), around the horizontal conduit in the end panel pocket, and back to the ratchet.

NOTE: Allow enough extra strap so you can insert both ends of the strap into the ratchet.

8. Thread one end of the strap in through the slit, around the conduit, and back to the ratchet.
9. Align the strap ends and insert both ends into the slot in the center hub of the ratchet.
10. Tighten slightly and repeat the steps for the remaining straps and ratchets.

ATTENTION: If the strap "builds up" inside the ratchet, loosen the ratchet, remove the excess strap, and retighten.

11. Return to all horizontal conduit ratchets and tighten.
12. After securing the horizontal end panel conduit, continue by cutting the door opening.

END PANEL INSTALLATION (continued)

Cut Door Openings

ATTENTION: For best results and to keep the stretched panel in position, install Tek screws and washers *from the outside* around the door frame to secure the end panel to the door jambs and header. (See dashed lines Fig. 1.) *Do this before cutting the opening in the panel.* If you do not want to install screws through the panel, continue with Step 1.

These steps describe one way to cut a door opening:

1. Working *from inside the frame*, mark a 12"-16" border along the door jambs and below the header. (Consult the diagram below.) These 12"-16" flaps are wrapped around the door framing and secured to the inside of the *door frame* once the final diagonal cuts are made.
2. Using the diagram as a guide, cut the end panel to remove the section that is shaded.

Figure 1

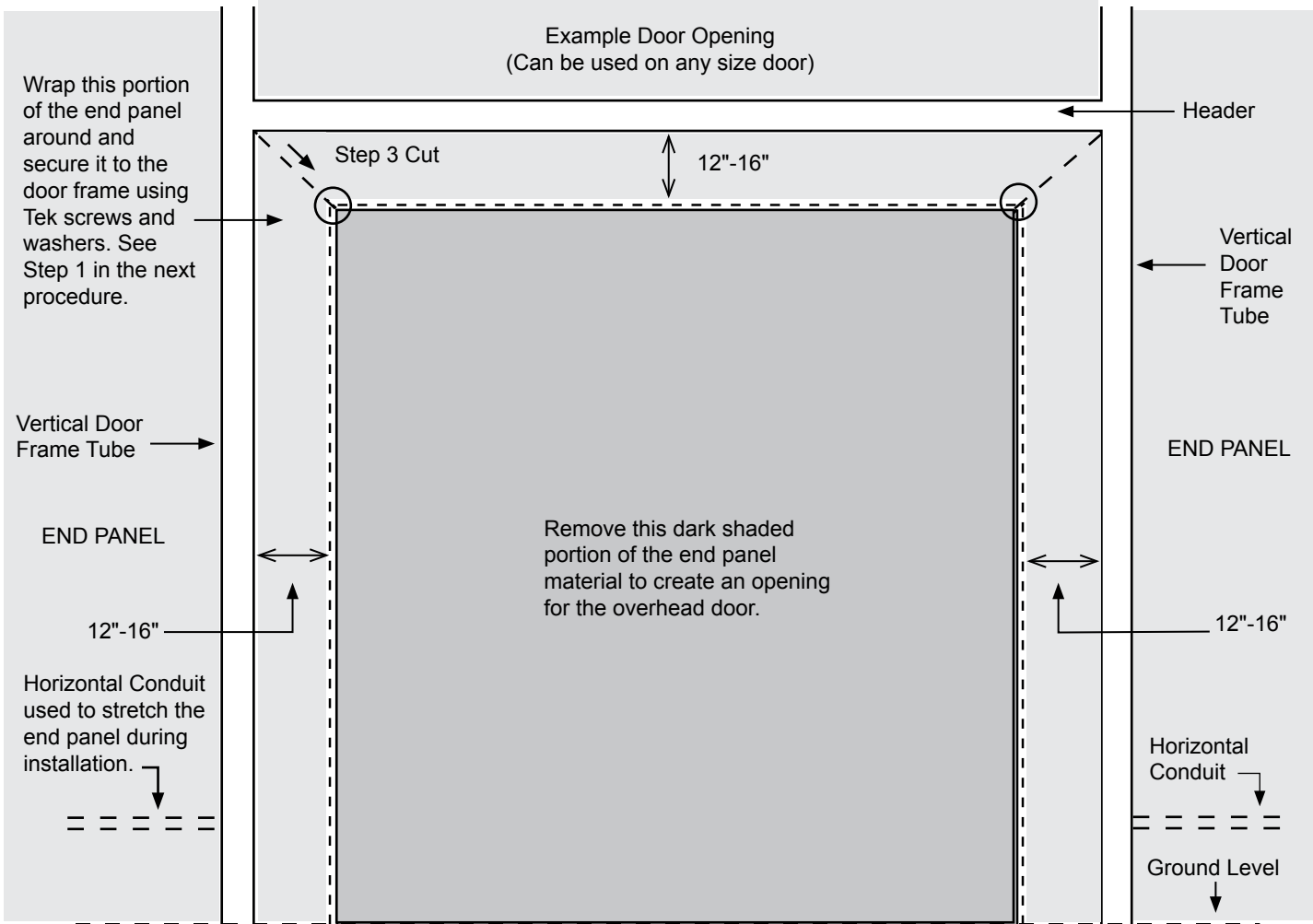
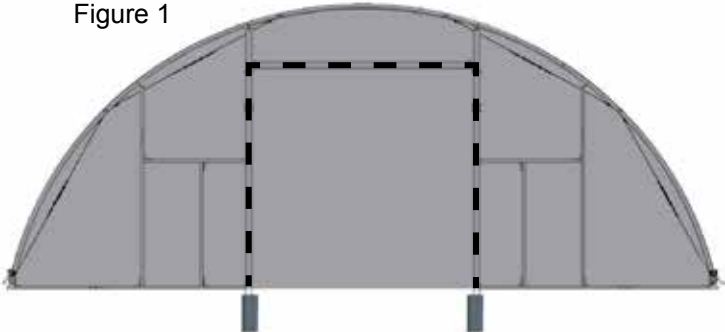


Diagram above shows the end wall and end panel as seen from inside a similar shelter.

3. Make two (2) diagonal cuts in the end panel as shown above to create the 12"-16" flaps.
4. Repeat for other door openings on this end wall.
5. Continue with the Secure End Panel to Door Frame instructions that follow.

CLEARSPAN™ STORAGE MASTER

END PANEL INSTALLATION (continued)

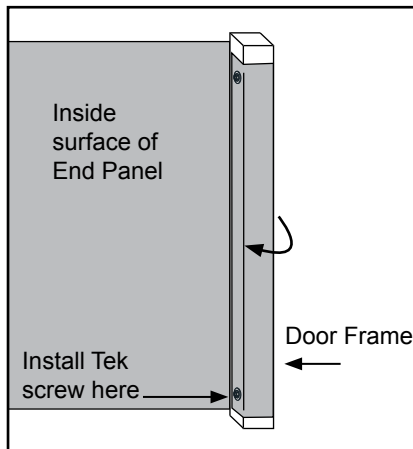
Secure the End Panel to the End Frame

The frame shown in the following diagrams may differ from the actual frame. Installation steps are the same.

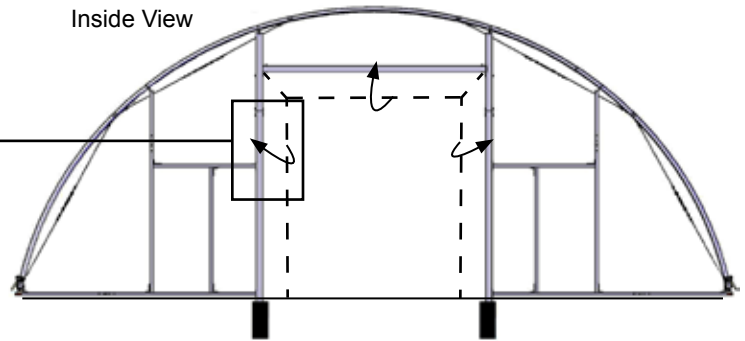
1. With door openings cut, secure the end panel to the door frame using Tek screws and washers. See diagram below.

NOTE: For the exposed corners of the door frame that remain, cut out a 16" x 16" piece of material *from the scrap end panel material* and secure the piece to the exposed corners using Tek screws and washers (if desired).

Secure the end panel to the inside surface of the frame tube using a Tek screw and washer.



Inside View

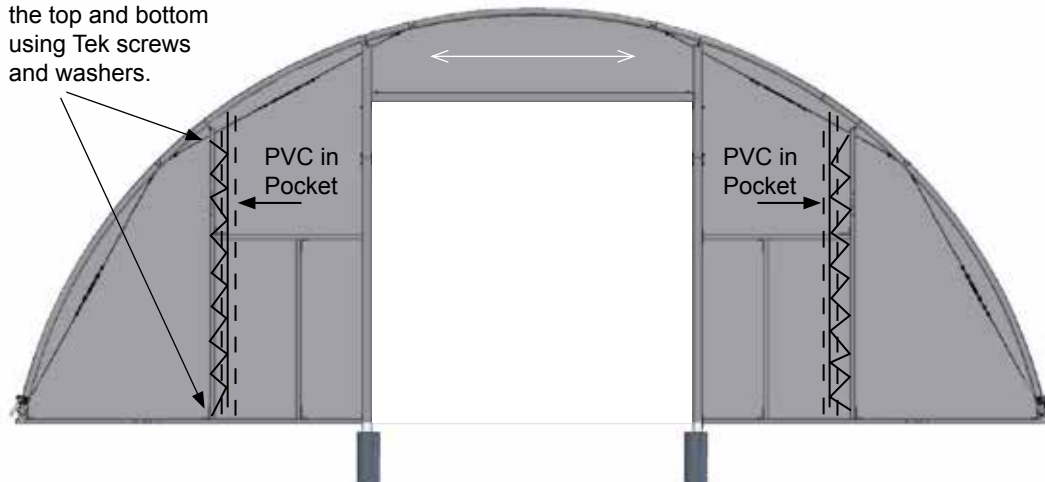


ATTENTION: DO NOT secure the end panel to the inside or backside of the door frame tubes. Some doors kits use this surface for tracks and brackets. Check the instructions that shipped with the door for additional details.

2. Repeat the steps to install the end panel for the remaining end of the building if needed. Do not cut door opening if you are not installing a door.
3. Install the door or doors according to the instructions included with those components.

Secure strap to the end wall frame at the top and bottom using Tek screws and washers.

Stretch panel from the center of end wall toward the outside.



Dashed lines show the approximate locations of the vertical pockets of the end panel. Diagram shows the installed PVC for the vertical pockets and strapping. See the next procedure for details.

4. After doors are installed according to the door manufacturer's instructions, install the vertical PVC conduit for the end panel or panels to secure the panel to the end wall.

NOTE: If the end panel is without vertical pockets, skip the next procedure and attach the end ratchets to secure the bonnet of the main cover.

END PANEL INSTALLATION (continued)

Install the Vertical PVC End Panel Conduits

NOTE: After installation, the PVC conduits are attached to the vertical frame member closest to the end panel pocket in which the conduit is located. See photos that follow.

DO NOT ATTACH THE VERTICAL PVC CONDUIT TO ANY PART OF ANY DOOR FRAME. Doing so will interfere with the installation of the door.

1. Take the PVC conduit and seat the separate conduit sections into one another to achieve the required length (if needed) and secure the joint with a Tek screw, wrap with duct tape, and slide the assembled conduit into one vertical pocket. Cut to length if needed.

NOTE: PVC glue can be used to secure each PVC joint. PVC glue *is not included*. The PVC is flexible enough to feed up from the bottom and into the end panel pocket.

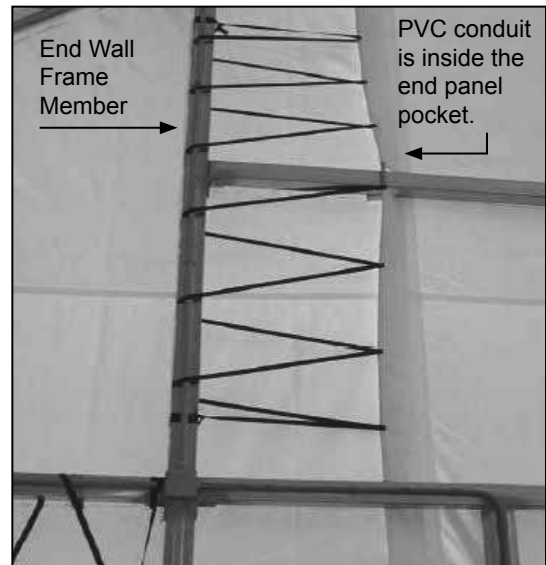
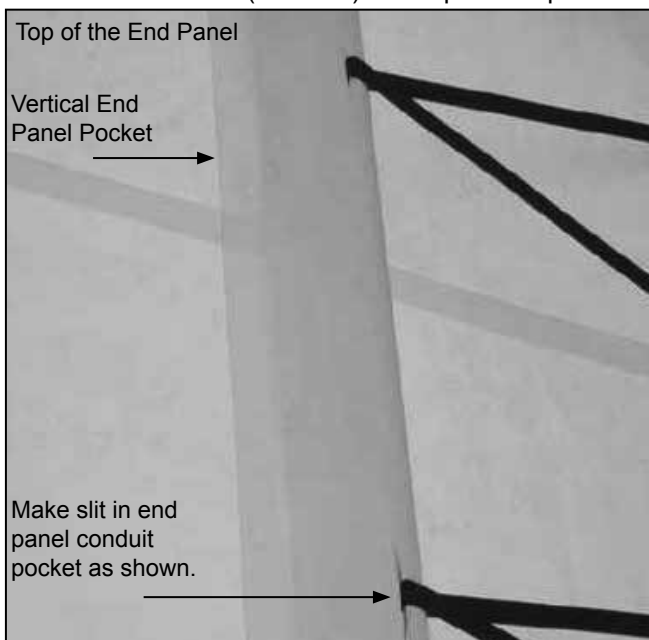
2. At approximately every two (2) feet, cut a 6" vertical slit in the vertical conduit pocket of the end wall.

ATTENTION: *DO NOT cut the end panel.* Cut only the conduit pocket.

3. Beginning at the bottom of the conduit pocket, take the 1" strap and weave the strap through the slit, around the PVC conduit, and around the closest vertical end wall frame member *that is not part of the door frame*.

NOTE: The following photos are a different frame from your frame. End panel is attached in a similar manner however. Frame is shown from the inside the shelter.

4. Move to the next slit (or notch) and repeat the process



and work up the conduit and pocket.

5. Once the strap is in place, tie the upper end to the vertical end wall frame tube.
 6. Slightly tighten the end panel by working the vertical strap between the conduit and vertical end wall frame tube.
- NOTE:** Do not tighten completely at this time. Straps should be snug.
7. Cut (if needed) and tie the remaining (lower) end of the strap to the end wall frame.
 8. Repeat the steps to install the strap for the remaining vertical end wall PVC conduit.
 9. With all PVC vertical conduits in place, tighten the straps for the vertical end panel conduits.
 10. After all the conduit straps are tight, move to the top of the end rafter and tuck the end panel flap over the top of the end rafter at both ends. The end panel is tucked between the rafter and the main cover.

NOTE: This flap can be secured in place by using Tek screws and neo-bonded washers. *Attach the screws to the backside of the end rafter so it does not touch the main cover.*

11. Return to each strap near the strap ends and drive a screw and washer through the strap and into the vertical end frame member to keep the strap in place.
12. With the end panel secured, continue by installing the ratchets for the bonnet of the main cover and tighten the main cover bonnet.

CLEARSPAN™ STORAGE MASTER

INSTALL THE END RATCHETS FOR THE MAIN COVER

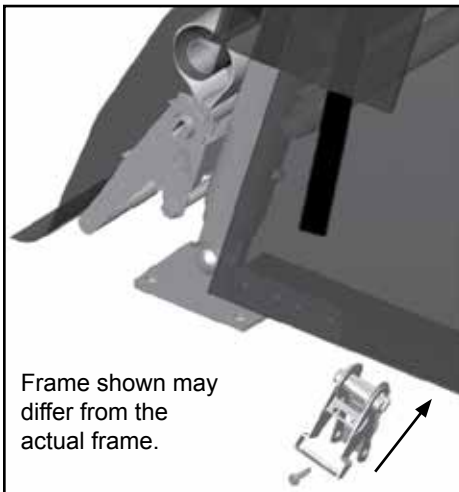
After end panels are fully stretched and all doors are installed, attach the end ratchets for the main cover bonnet.

Gather the parts:

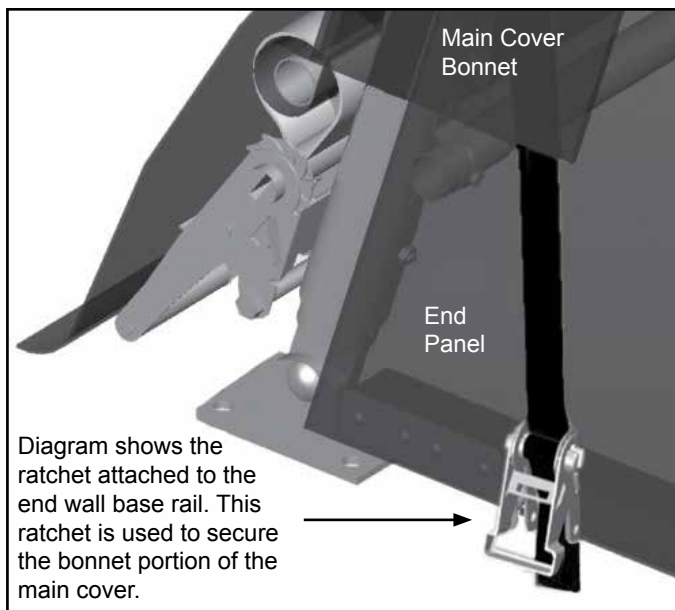
- Small ratchet (#QH1061)
- Tek screws (#FA4482B)

Complete the following steps to secure the ratchets to the rafter legs.

1. After the end panels are installed, pull the bonnet portion of the main cover back over the end rafter.
2. Locate the four (4) small ratchets (#QH1061) and attach each ratchet to the outside of the end wall base rail using a Tek screw (FA4482B).



3. Locate the straps at the front and rear of the main cover and feed the straps through the center slot in each end ratchet.



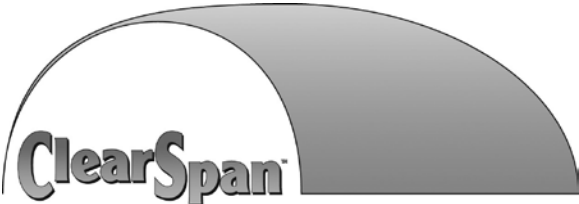
4. Tighten the end ratchets to secure the bonnet portion of the main cover.
5. Move to the other end of the building and secure the bonnet at that end.
6. After securing the main cover bonnet, read the care and maintenance information that follows.

SHELTER CARE AND MAINTENANCE

Proper care and maintenance of your shelter is important. Check the following items periodically to properly maintain your shelter:

- Inspect all components regularly and frequently.
- Regularly check the main cover and panels (if equipped) to see that these remain tight and in proper repair.
- Check the cable turnbuckles and cable clamps to see that these remain tight. Tighten as needed. Check the cable to verify that it is not worn, wearing on a frame member, or touching the main cover or end panels (if equipped).
- Check connections and all fasteners to verify that they remain tight.
- Do not climb or stand on the shelter at anytime.
- Remove debris and objects that may accumulate on the shelter. Use tools that will not damage the cover when removing debris.
- Remove snow to prevent excess accumulation. Use tools that will not damage the cover when removing snow.
- Check the contents of the shelter to verify that nothing is touching the cover or the side panels that could cause damage.
- Check the anchoring system to ensure that all components are tight and in good repair.
- Replace all worn or damaged parts promptly.
- If the shelter is disassembled and moved, inspect all parts and connections before reassembling.
- For replacement or missing parts, call 1.800.245.9881 for assistance.

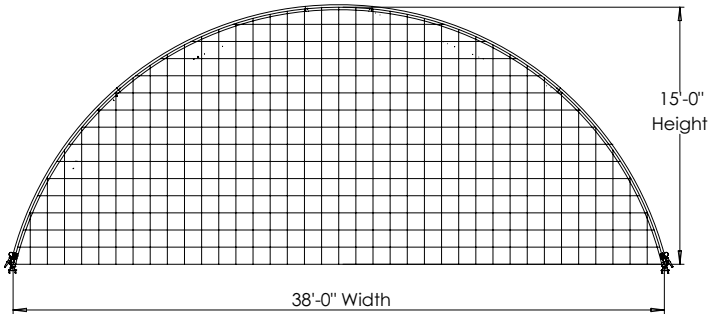
NOTE: With the exception of Truss Arch buildings, ClearSpan™ shelters and greenhouses *do not* have any tested loading criteria.



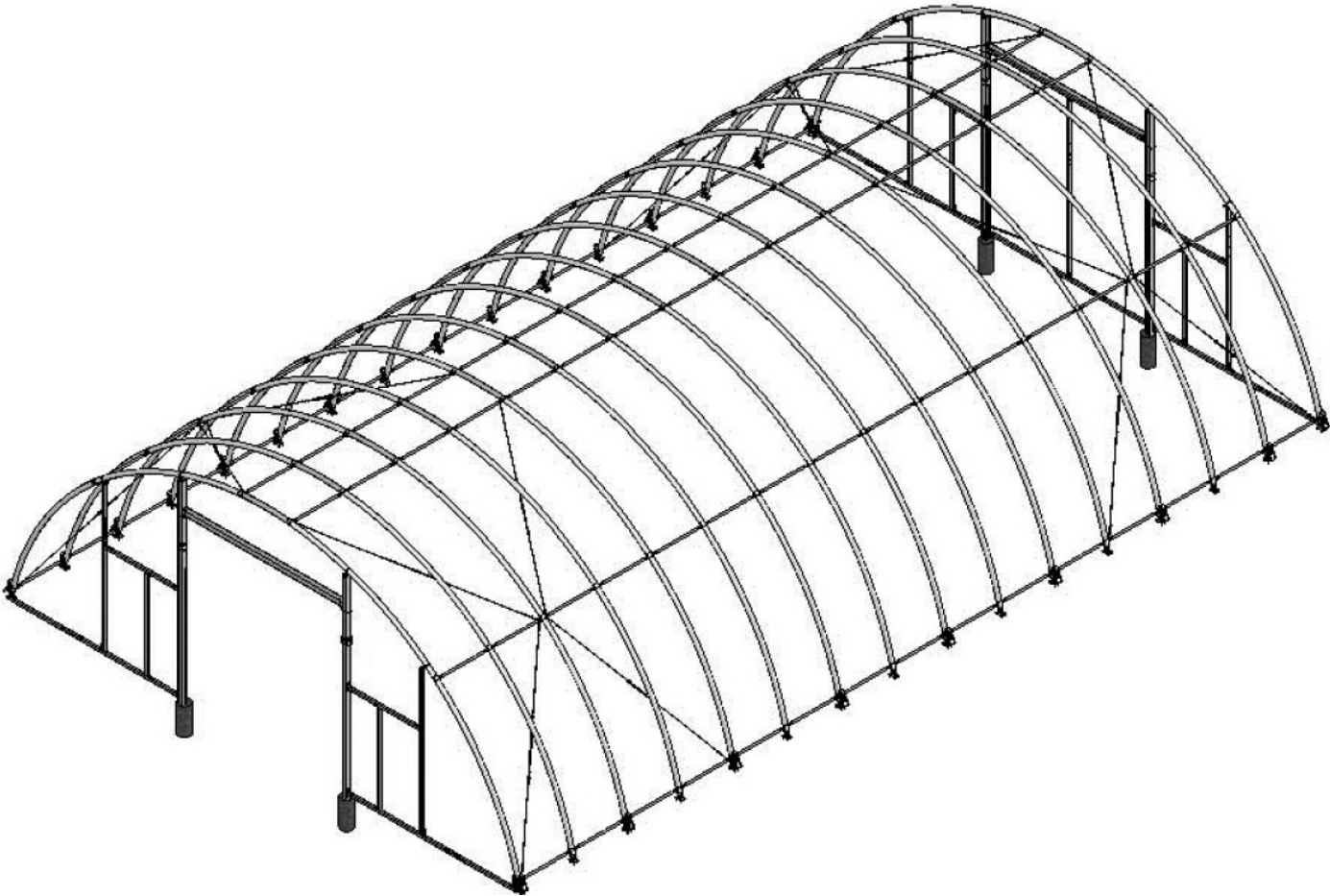
ClearSpan™
fabric structures and greenhouses

QUICK START GUIDE

38' Wide Storage Master Building

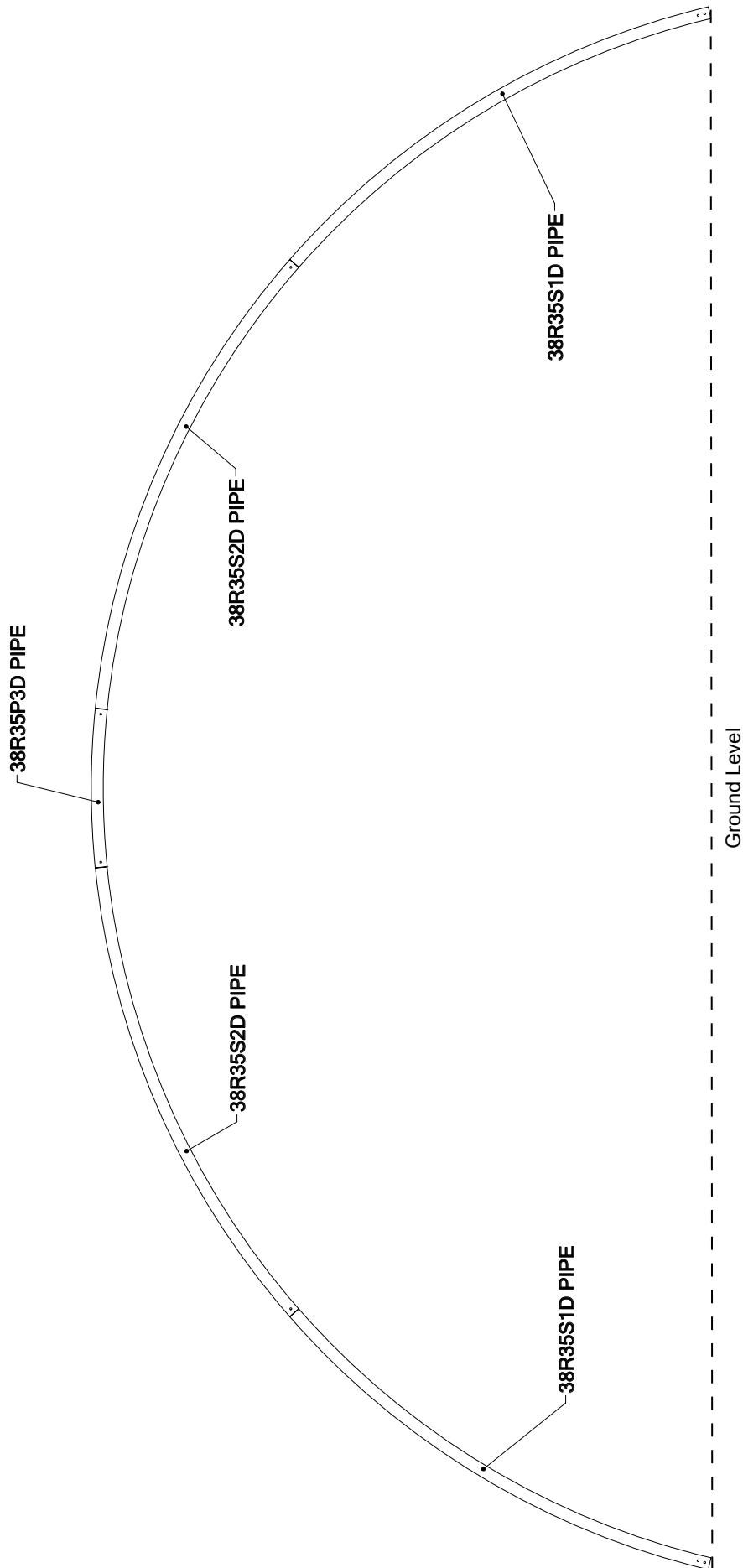


FRONT
Grid Represents 12" Squares

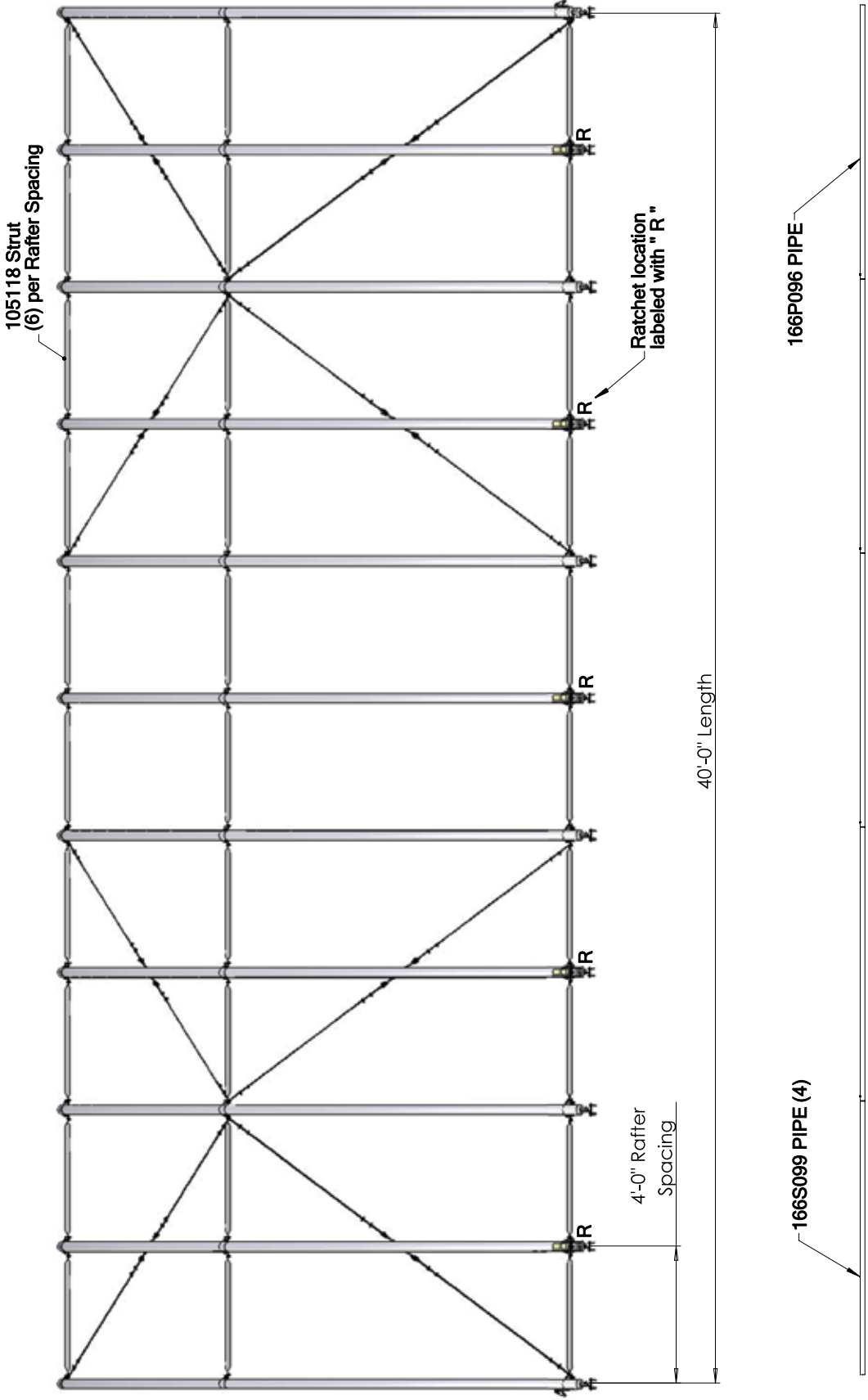


Frame shown may differ in length from actual frame.

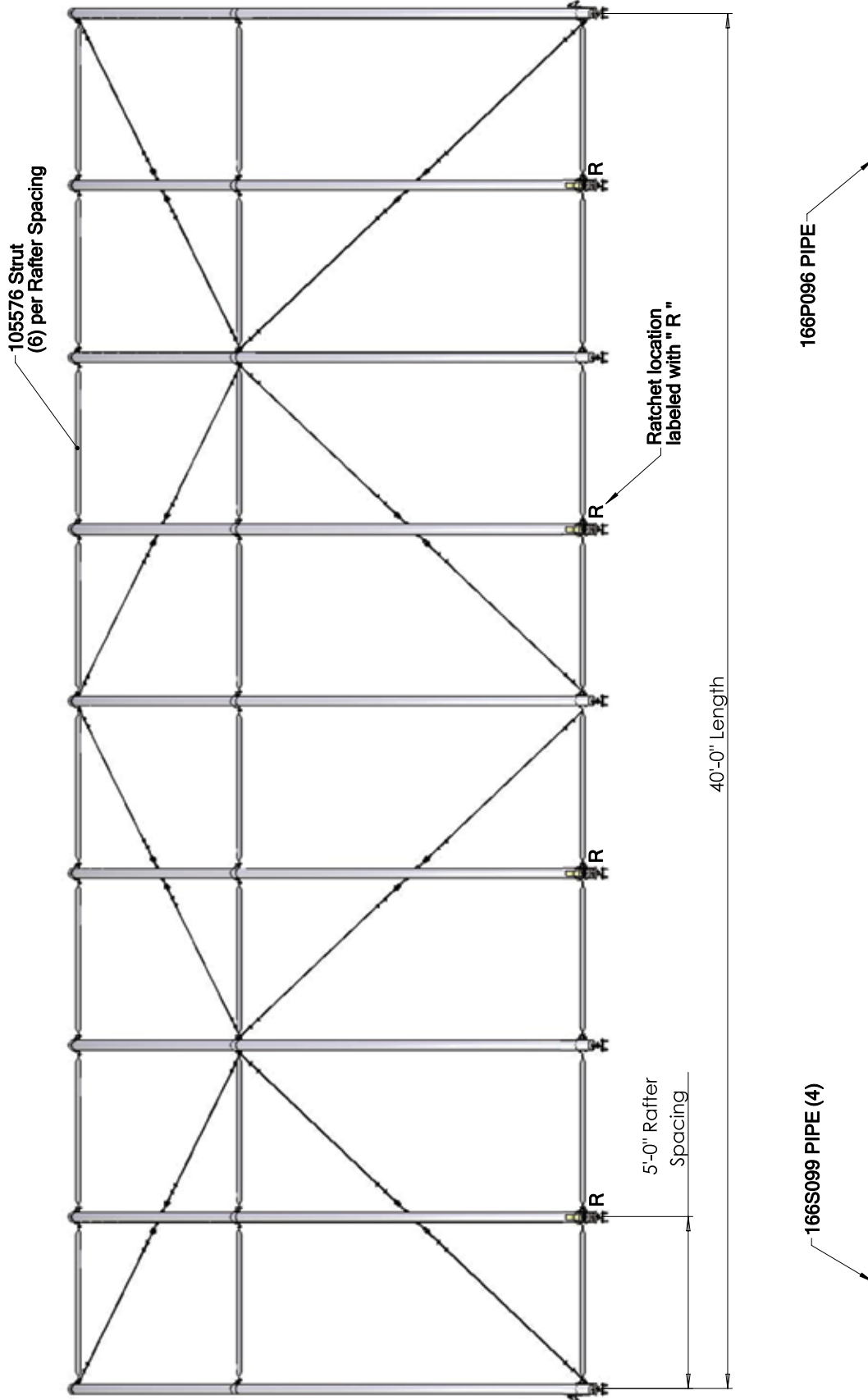
FRONT PROFILE



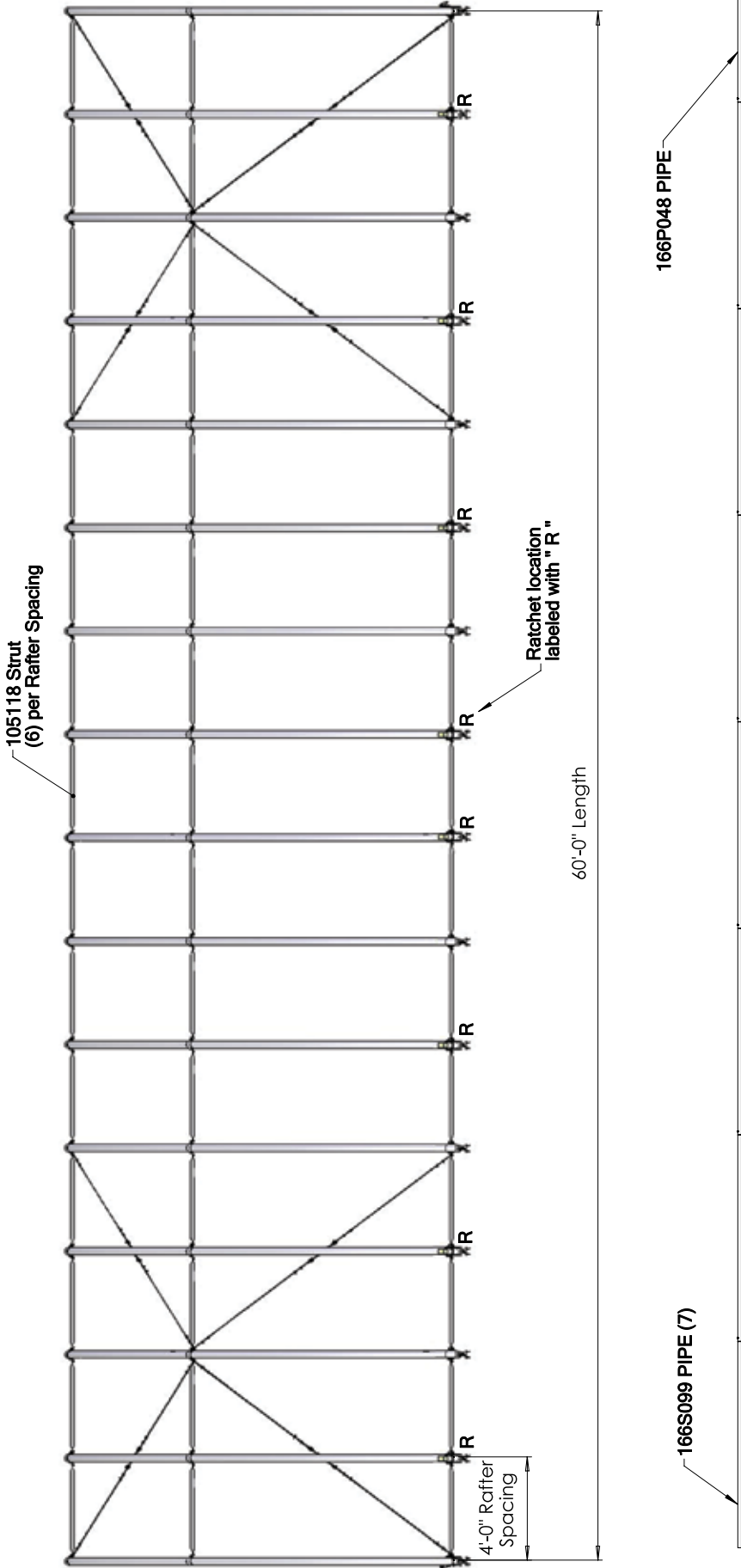
SIDE PROFILE - PB00270R4



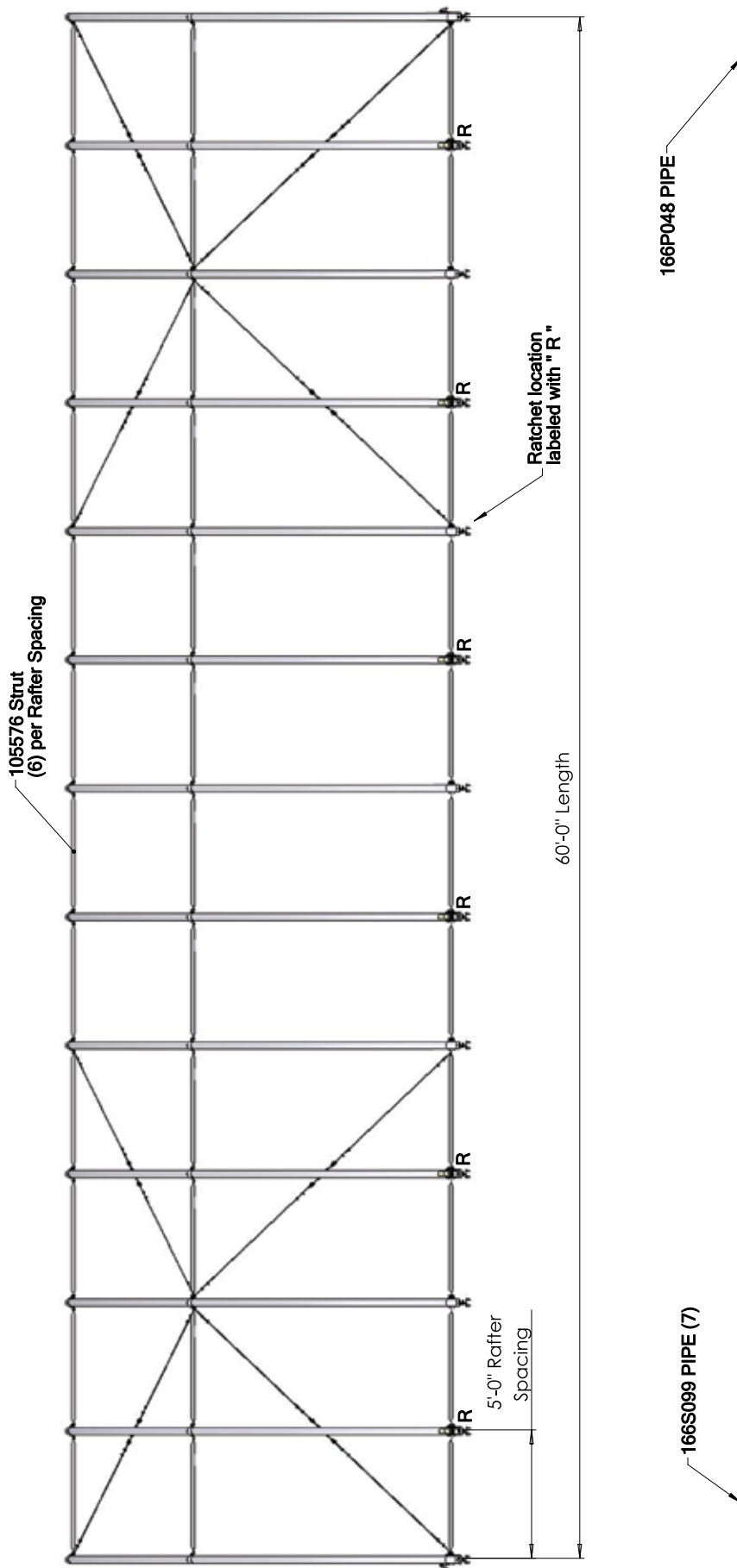
SIDE PROFILE - PB00270R5



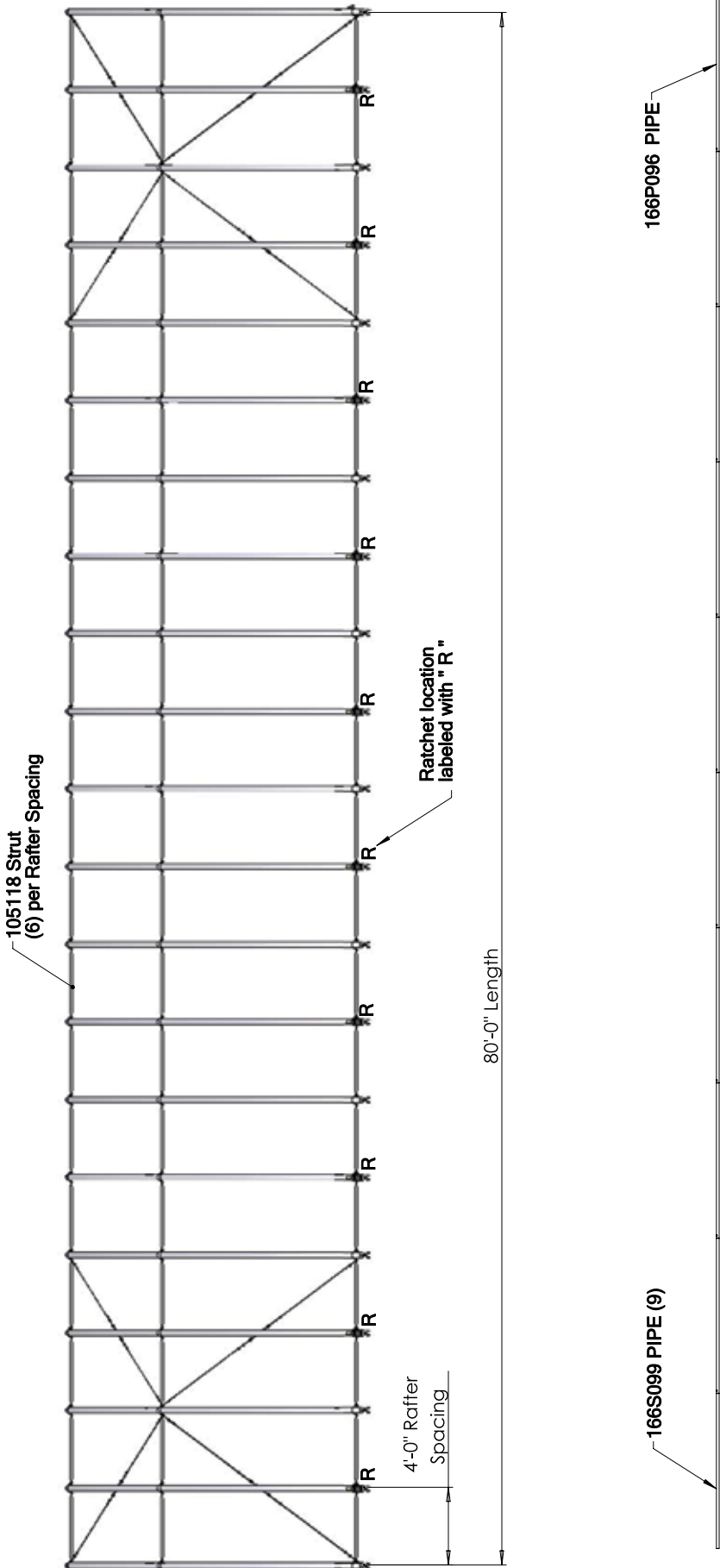
SIDE PROFILE - PB00272R4



SIDE PROFILE - PB00272R5

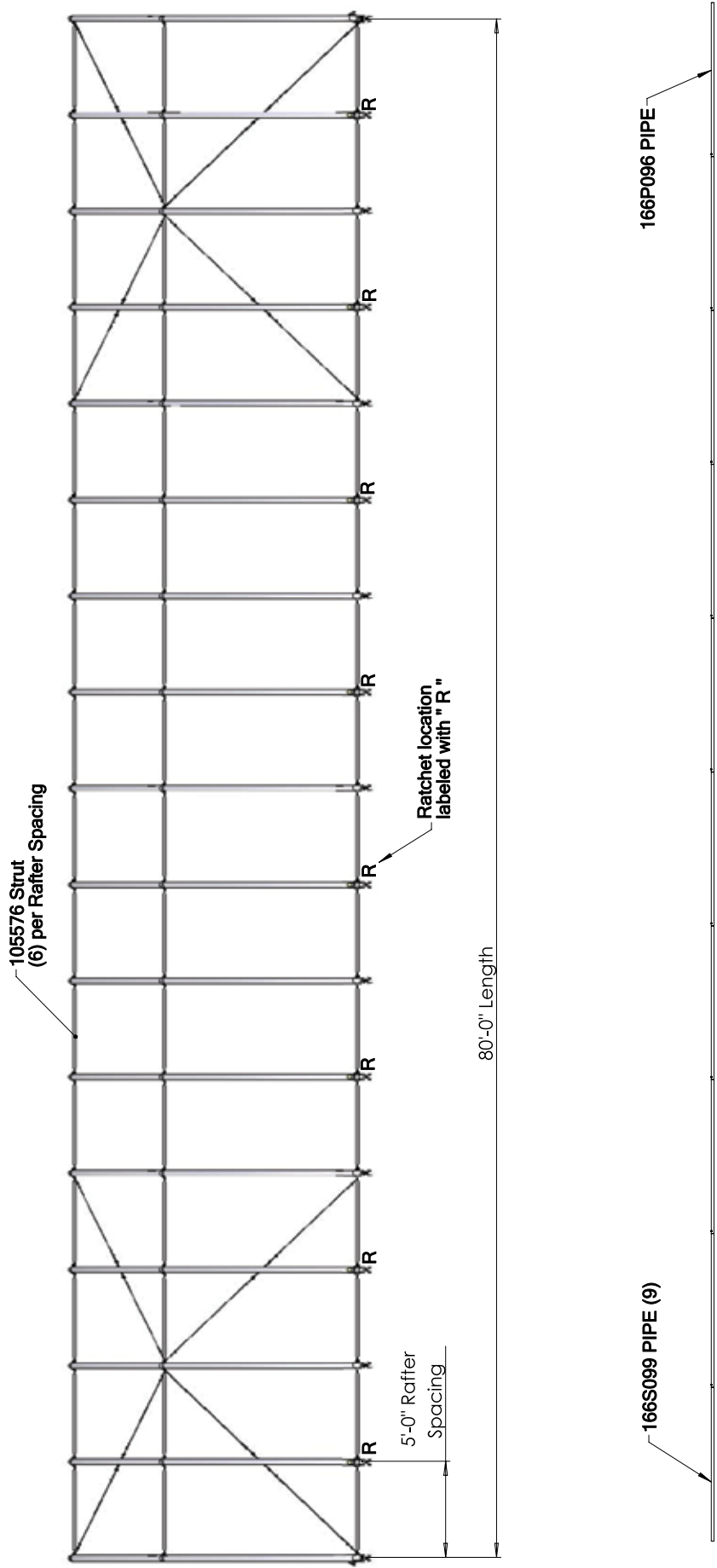


SIDE PROFILE - PB00274R4



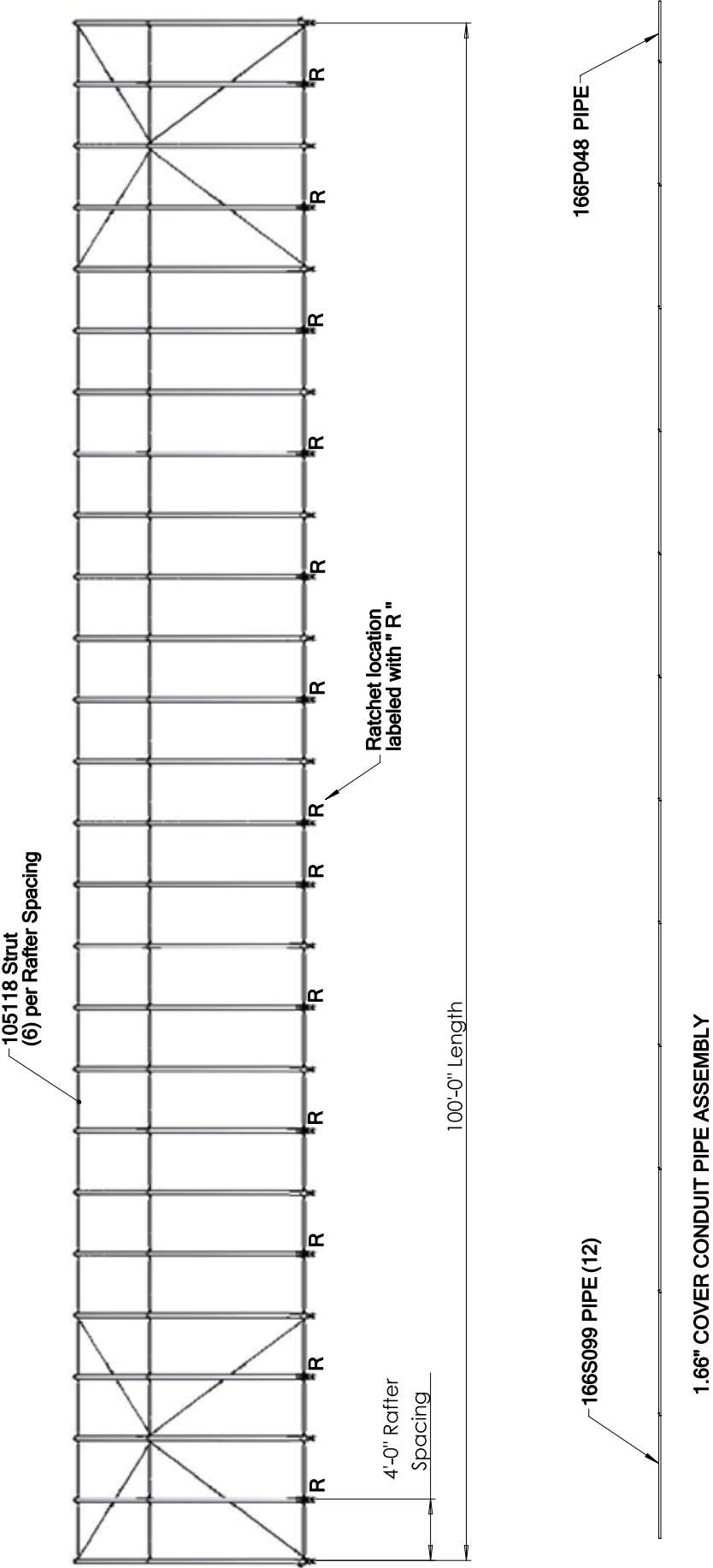
1.66" COVER CONDUIT PIPE ASSEMBLY

SIDE PROFILE - PB00274R5

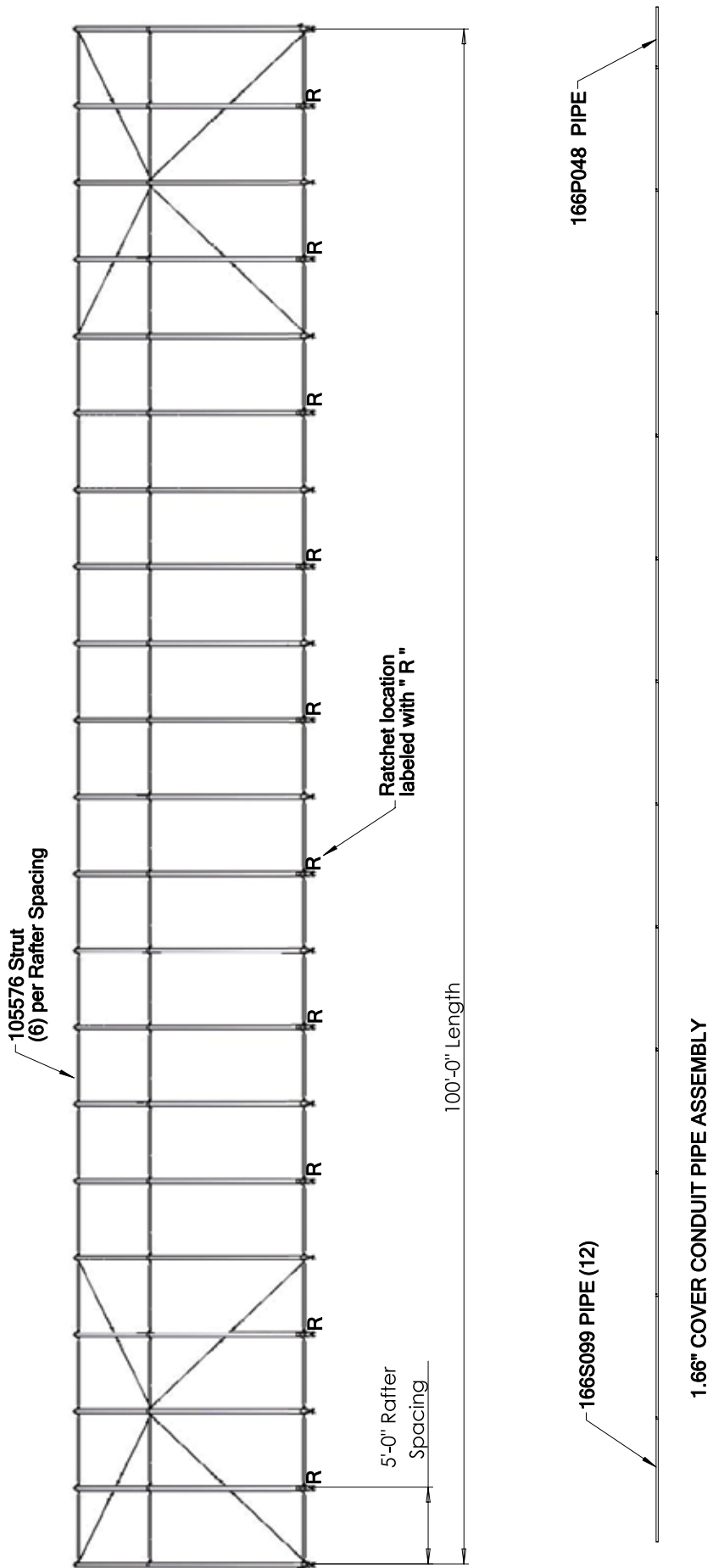


1.66" COVER CONDUIT PIPE ASSEMBLY

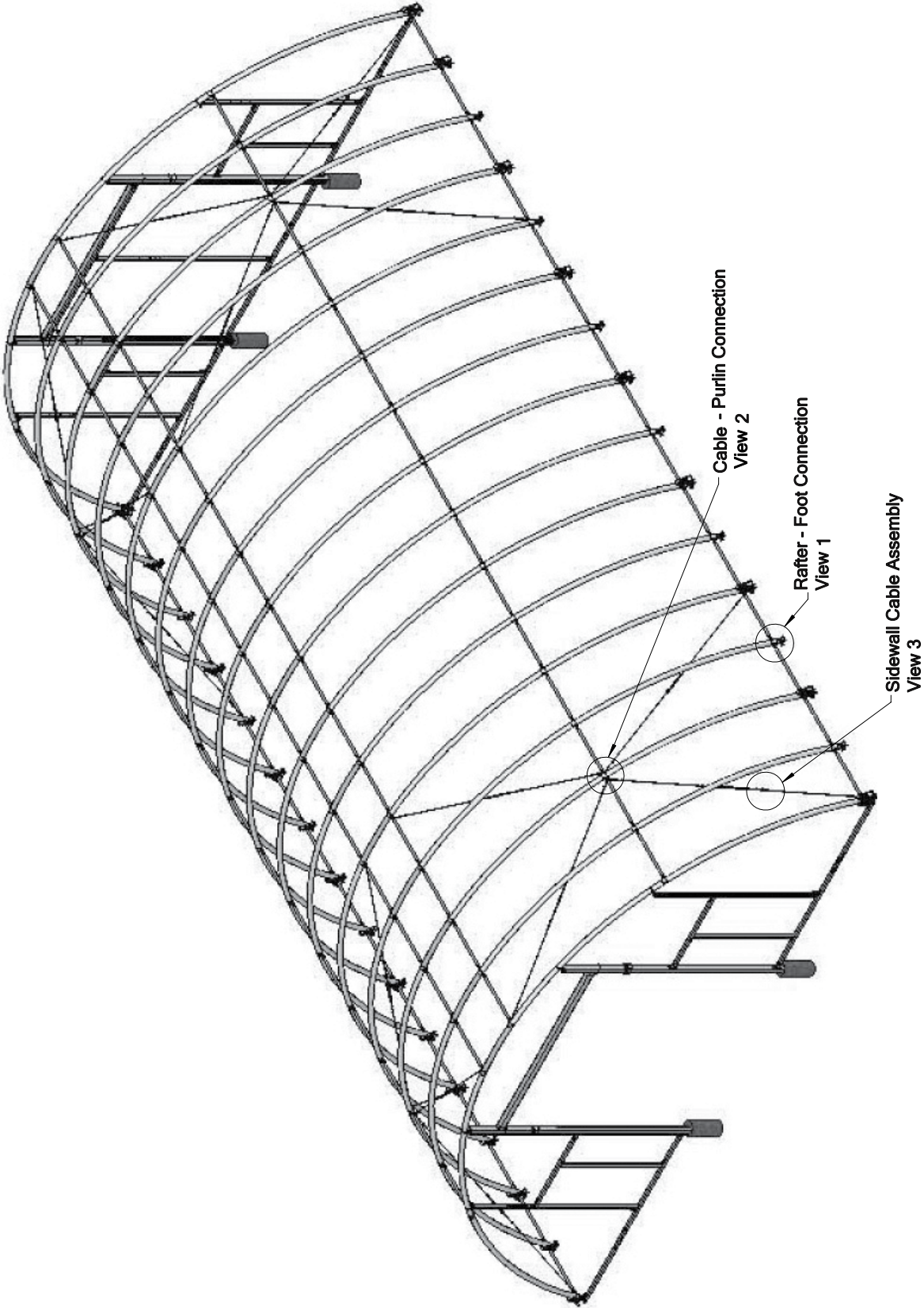
SIDE PROFILE - PB00276R4



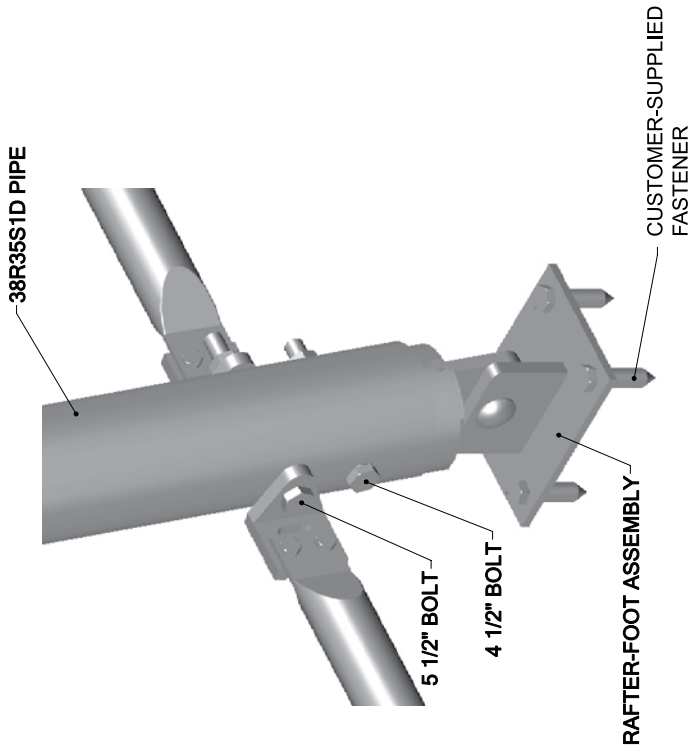
SIDE PROFILE - PB00276R5



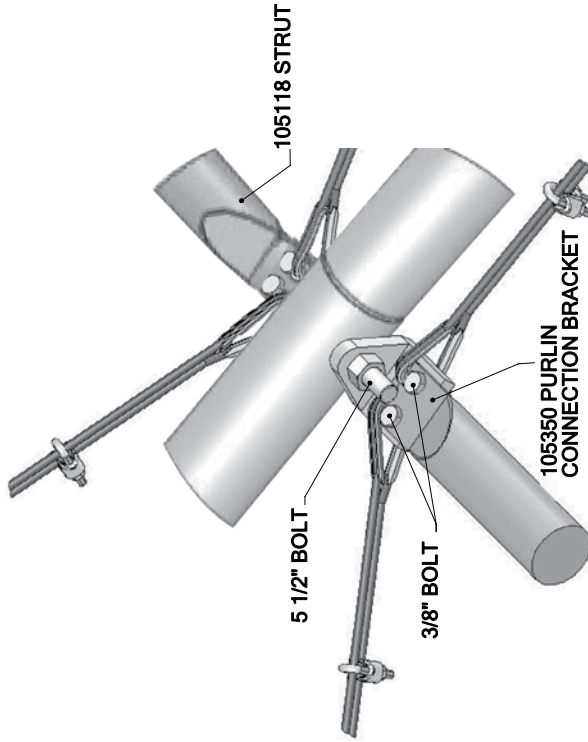
CONNECTIONS



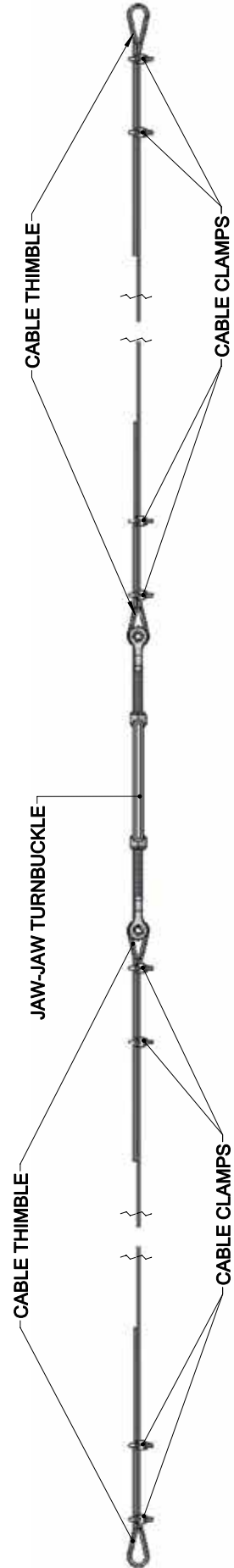
CONNECTION - DETAILS



VIEW 1
RAFTER-FOOT CONNECTION



VIEW 2
CABLE TO PURLIN CONNECTION

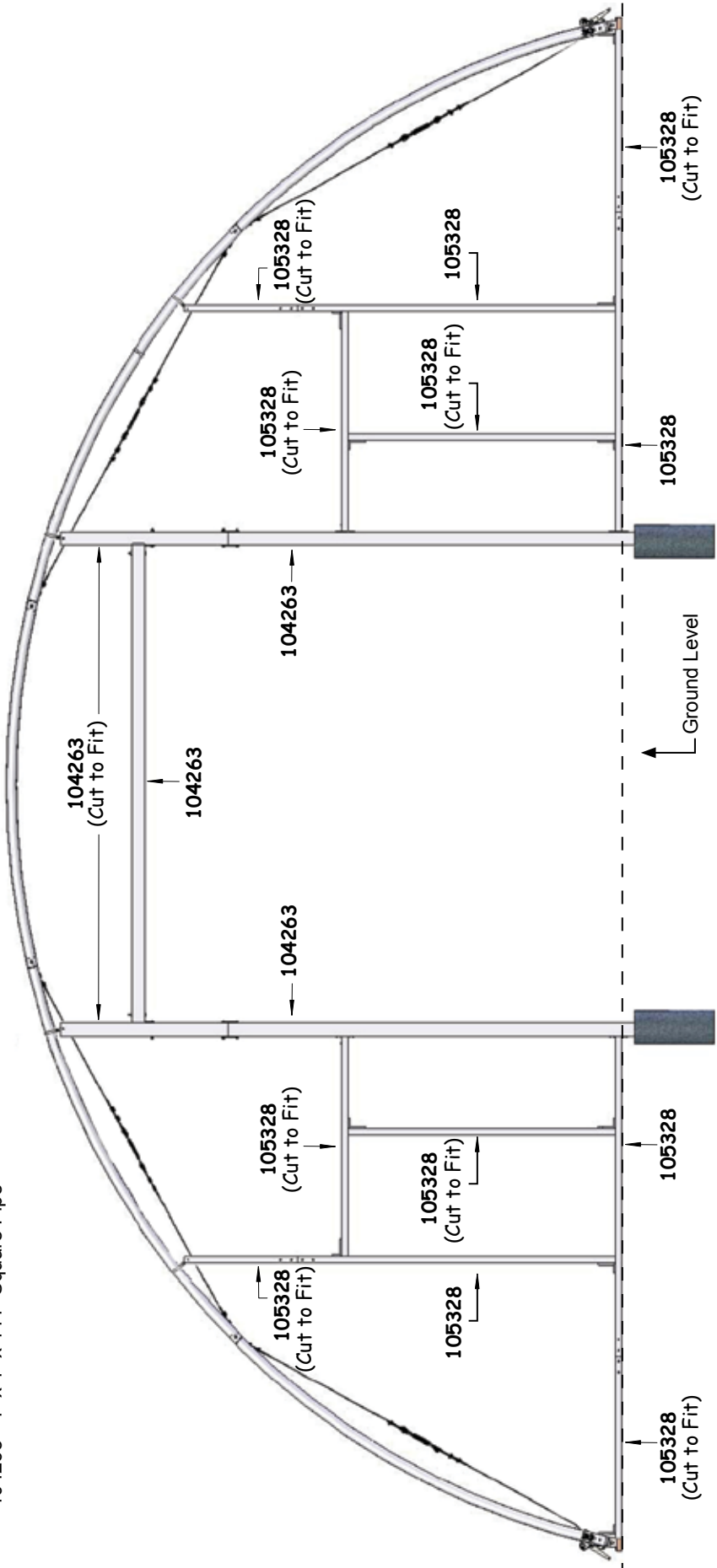


VIEW 3
SIDE WALL CABLE ASSEMBLY

END FRAMING - FRONT

Pipe Dimensions:

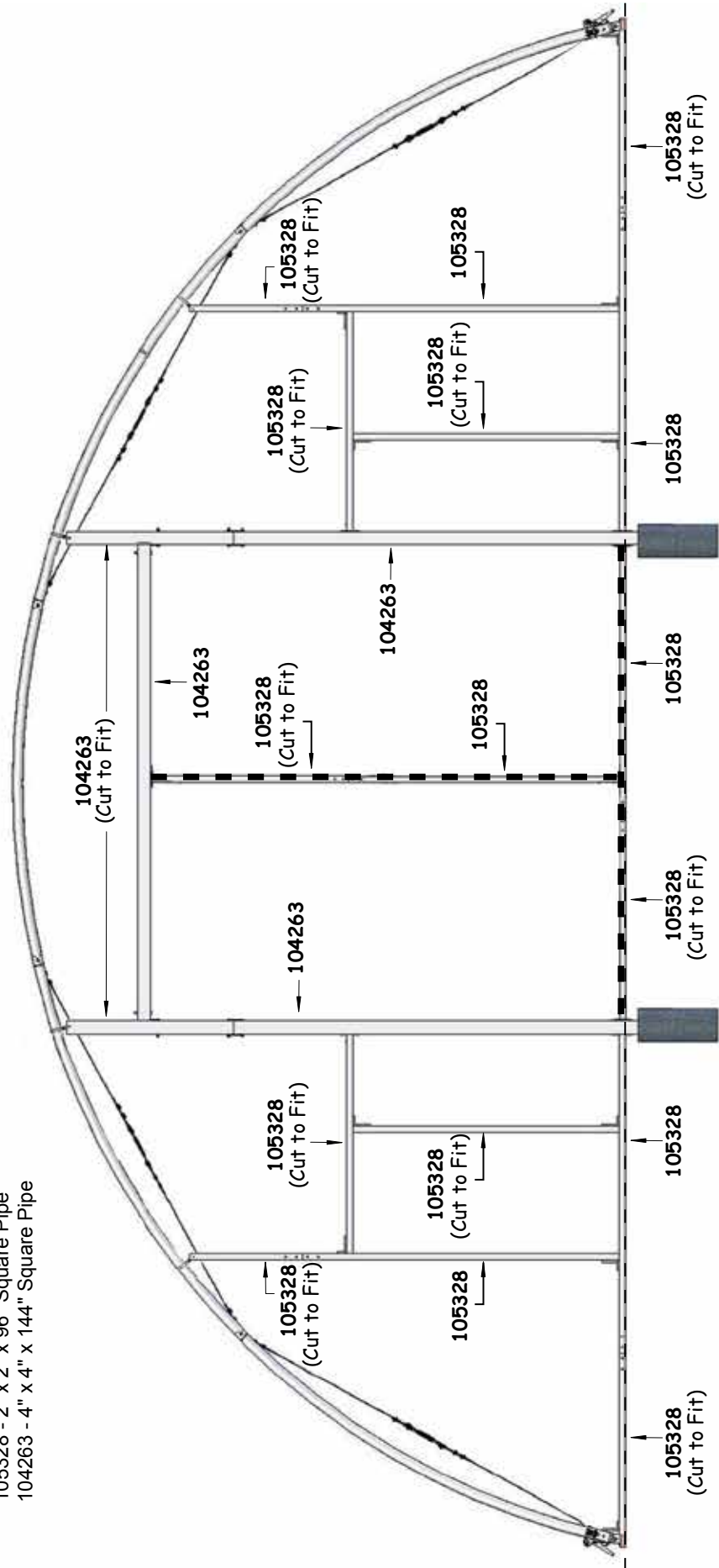
- 105328 - 2" x 2" x 96" Square Pipe
- 104263 - 4" x 4" x 144" Square Pipe



END FRAMING - BACK

Pipe Dimensions:

- 105328 - 2" x 2" x 96" Square Pipe
- 104263 - 4" x 4" x 144" Square Pipe



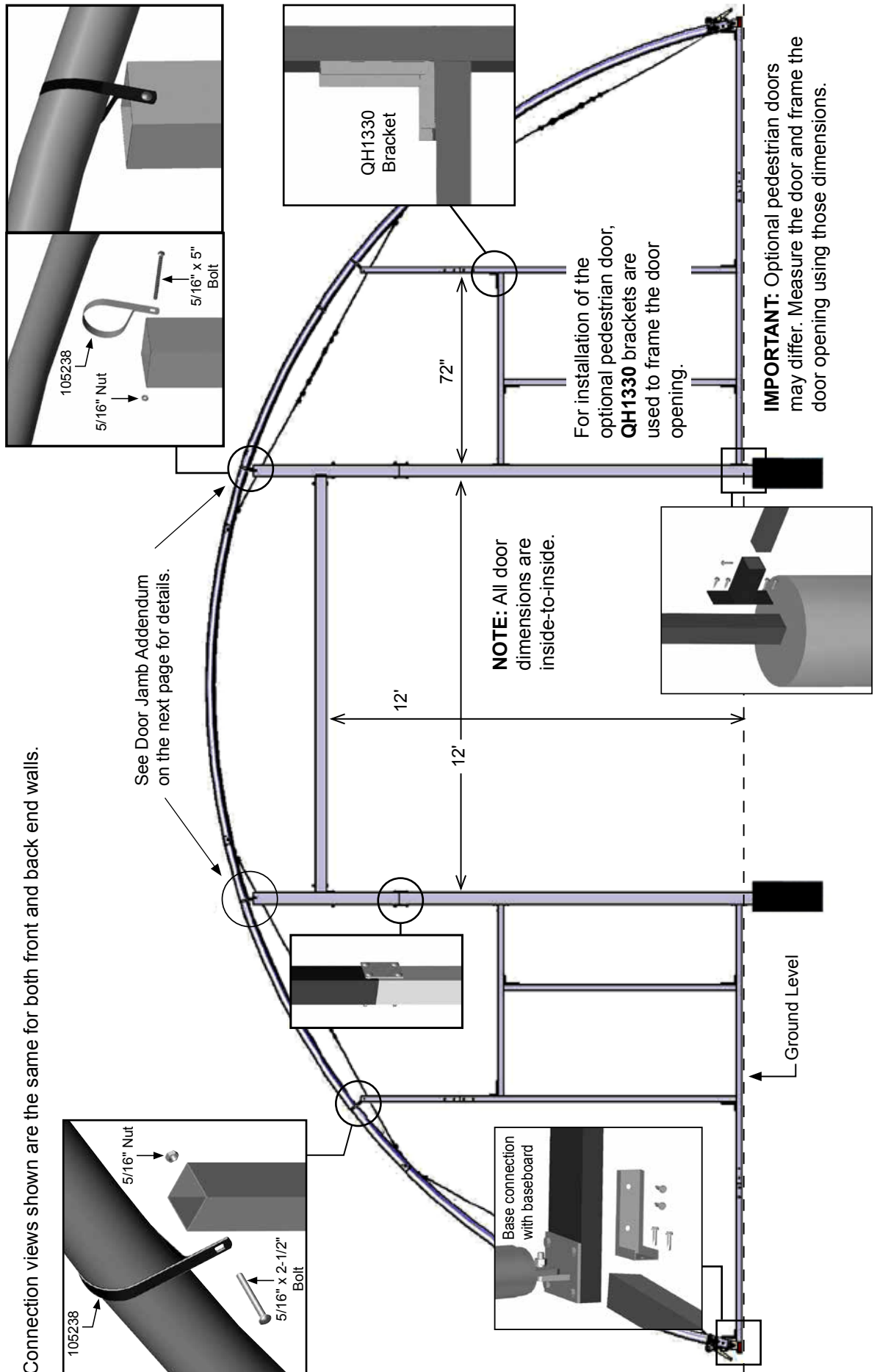
NOTE: Dashed lines represent optional end framing and connections. Remove framing if installing zippered end panel.

END WALL DIAGRAM - FRONT

ATTENTION: Use 4" x 4" tubing for the frame around the 12' x 12' door only.

If an optional pedestrian door has been purchased, the door can be installed on either side of the overhead door.

Connection views shown are the same for both front and back end walls.



Door Jamb Addendum

ADDITIONAL 111708 BRACKET INSTALLATION FOR DOOR JAMBS (Door Installation Only.)

In addition to the standard door jamb and end frame installation instructions presented in this guide, please install the 111708 connection brackets as described below. **These brackets are not shown in any of the main building diagrams in this manual.** Use the diagrams on this page for proper bracket placement and installation.

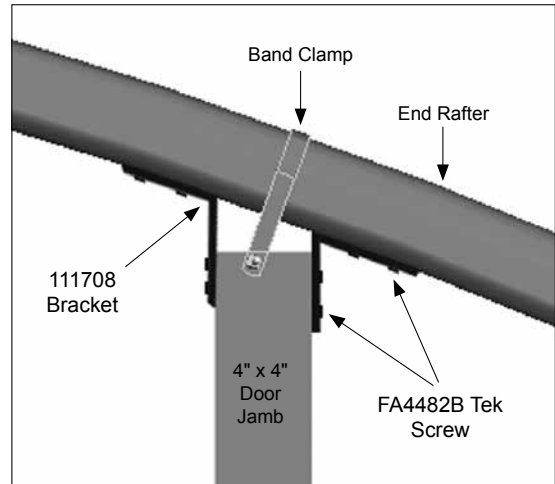
NOTE: The door jambs are the vertical frame members that the door is attached to when it is installed.

Complete these steps:

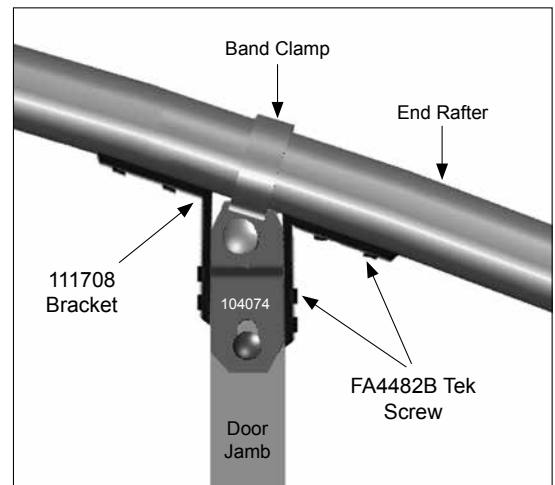
1. Locate the 111708 brackets and FA4482B Tek screws included with the building.
2. After installing the door jambs and end wall framing, bend each 111708 bracket as needed to install.

ATTENTION: Brackets are shipped as flat plates. Bend each one to conform to the angle created by the rafter curve. To bend the plate, tightly clamp it in a vise so the bend point is centered between the mounting holes. Lightly tap the free end of the plate with a small maul until the desired angle is reached.

3. Use four (4) FA4482B Tek screws to attach each 111708 bracket to the end rafter and top of each door jamb. **Brackets are used to secure the door jambs only. Do not use these for any other vertical frame member of the end wall. See diagram—lower right.**



4" x 4" Door Jamb and Band Clamp: Install one 111708 bracket on each side of each door jamb.



1.5" x 1.5" or 2" x 2" Door Jamb and 104074 Square-to-Round Tube Bracket: Install one 111708 bracket on each side of each door jamb.

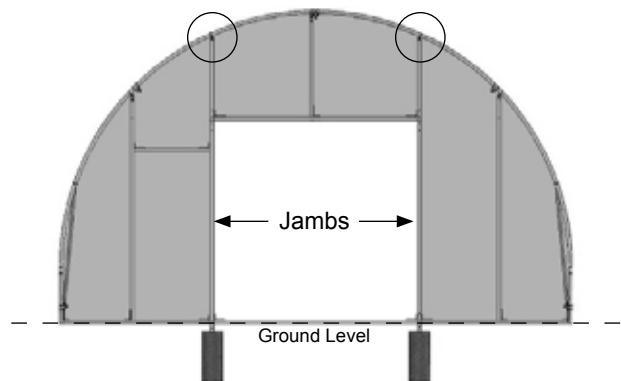
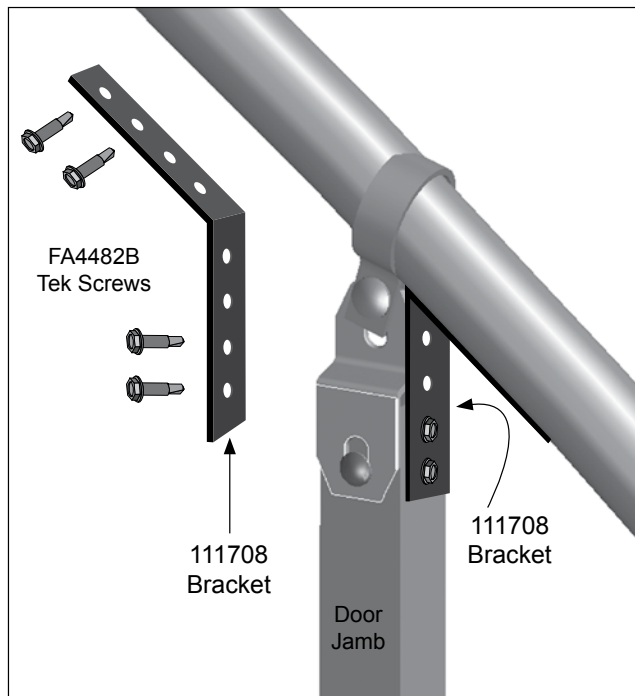


Diagram shows the location of the door jambs. Circles show where to attach the 111708 brackets.

END WALL DIAGRAM - BACK

ATTENTION: End wall frame for the back of the building is constructed as shown below. This allows for the installation of an optional pedestrian door and/or 12' x 12' door (if desired). (Doors for the back wall must be ordered separately.)

